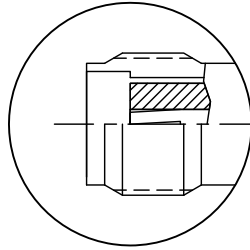
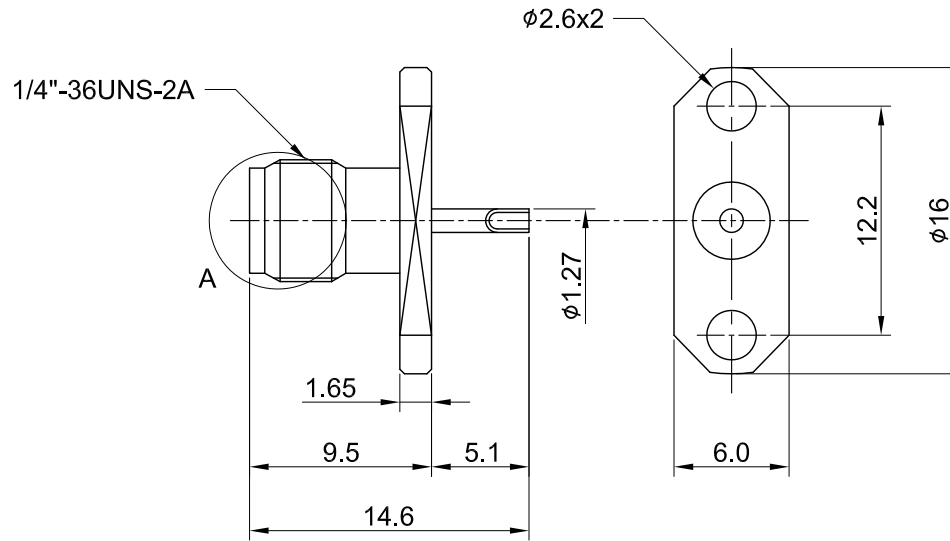


REV	DESCRIPTION	DATE
2.00	CHG INSULATOR Inner Design (Half Air), ADD DIM 5.1	2018/01/29
2.10	NEW DRAWING FRAME	2023/10/12
2.11	ADD SECTIONAL VIEW	2023/10/27




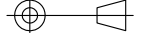
DETAIL A



MECHANICAL DATA  
 DURABILITY : 500 CYCLES  
 TEMPERATURE RANGE : -65°C ~ + 165°C

ELECTRICAL DATA  
 FREQUENCY RANGE: DC~6GHZ  
 IMPEDANCE : 50Ω  
 VSWR : 1.3 MAX.  
 WORKING VOLTAGE : AC 500V  
 WITHSTANDING VOLTAGE : AC 1000V  
 INSULATION RESISTANCE : 5000 MΩ MIN

03	CENTER PIN	Be.Cu	GOLD	1
02	INSULATOR	TEFLON	NONE	1
01	BODY	BRASS	GOLD	1
NO	DESCRIPTION	MATERIAL	FINISH	Q'TY

TITLE	
SMA(F) st 2 holes panel mount receptacle, solder cup	
DWG NO. C02AF3130	
CUST. P/N: N/A DWG NO: N/A	GENERAL TOLERANCES .X ±0.2 .XX ±0.2 .XXX ±0.2 ANGLES N/A
SHEET 1 of 1 Unit: mm	DRAWN BY: Kelly 2023/10/27 CHK'D BY: Eileen 2023/10/27  REV. 2.11 DA2310270002