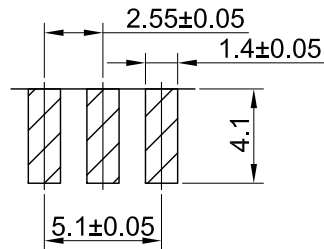
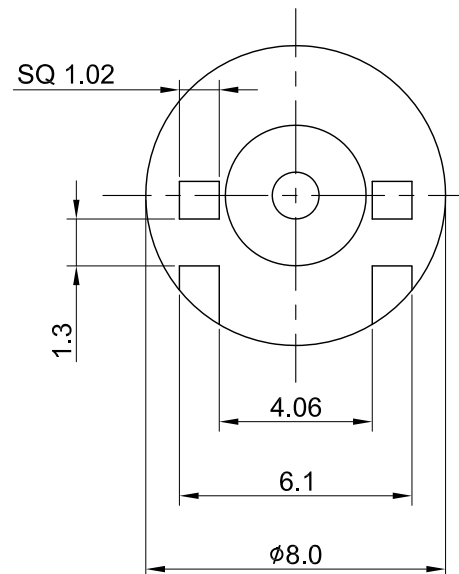
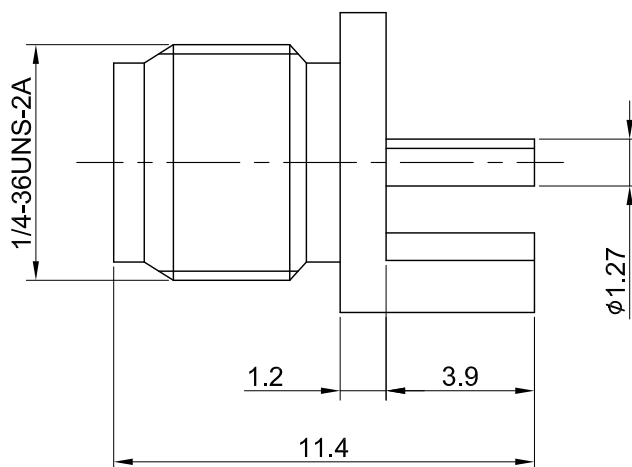


REV	DESCRIPTION	DATE
1.01	ADD DIM $\phi 5.4, 0.8, 4.3, 7.5, 2.0$	2014/10/30
1.10	NEW DRAWING FRAME	2024/06/27




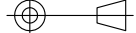
RECOMMENDED
PCB LAYOUT



MECHANICAL DATA
 DURABILITY : 500 CYCLES
 TEMPERATURE RANGE : -65°C ~ + 165°C

ELECTRICAL DATA
 FREQUENCY RANGE: DC~6GHz
 IMPEDANCE : 50Ω
 VSWR : 1.3 MAX.
 WORKING VOLTAGE : AC 500V
 WITHSTANDING VOLTAGE : AC 1000V
 INSULATION RESISTANCE : 5000 MΩ MIN

03	CENTER PIN	Be.Cu	GOLD	1
02	INSULATOR	TEFLON	NONE	1
01	BODY	BRASS	GOLD	1
NO	DESCRIPTION	MATERIAL	FINISH	Q'TY

TITLE		DRAWN BY: Kelly		2024/06/27	
SMA st jack edge mount for PCB (1.3)		CHK'D BY: Chili		2024/06/27	
DWG NO. C02AJ31P00121A				 REV.	
CUST. P/N: N/A DWG NO: N/A		GENERAL TOLERANCES .X ±0.2 .XX ±0.2 .XXX ±0.2 ANGLES N/A		DA2407010009 1.10	
SHEET	1 of 1	Unit: mm			