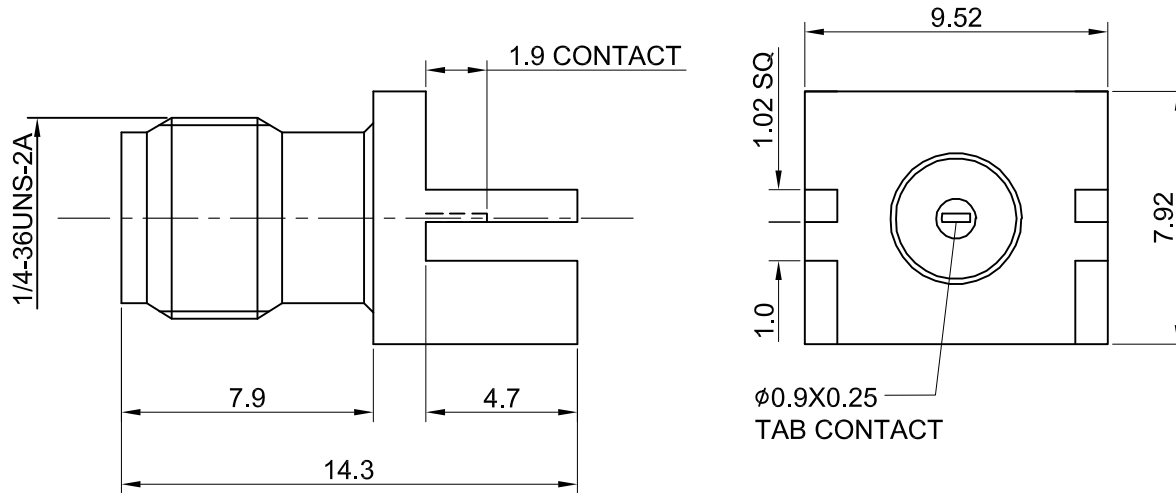
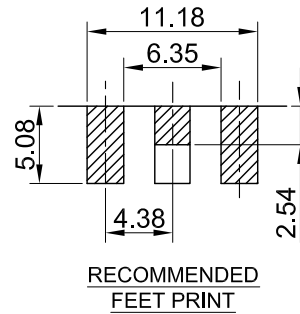




REV	DESCRIPTION	DATE
1.10	ADD RECOMMENDED FEET PRINT, CHG DIM 7.9/4.7 W. 7.85/4.75	2013/12/05
1.20	NEW DRAWING FRAME	2023/12/27



MECHANICAL DATA
 DURABILITY : 500 CYCLES
 TEMPERATURE RANGE : -65°C ~ + 165°C

ELECTRICAL DATA
 FREQUENCY RANGE: DC~6GHz
 IMPEDANCE : 50Ω
 VSWR : 1.3 MAX.
 WORKING VOLTAGE : AC 500V
 WITHSTANDING VOLTAGE : AC 1000V
 INSULATION RESISTANCE : 5000 MΩ MIN

03	CENTER PIN	Be.Cu	GOLD	1
02	INSULATOR	TEFLON	NONE	1
01	BODY	BRASS	GOLD	1
NO	DESCRIPTION	MATERIAL	FINISH	Q'TY

TITLE	
SMA(F) st. edge mount 7.92x9.52mm(for PCB thickness 1.0mm)	
DWG NO. C02AJ3146A	
CUST. P/N: N/A DWG NO: N/A	
SHEET 1 of 1	GENERAL TOLERANCES .X ±0.2 .XX ±0.2 .XXX ±0.2 ANGLES N/A
Unit: mm	DRAWN BY: Kelly 2023/12/27 CHK'D BY: Maria 2023/12/27  REV. 1.20 DA2312260031