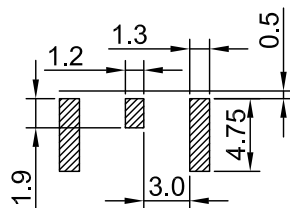
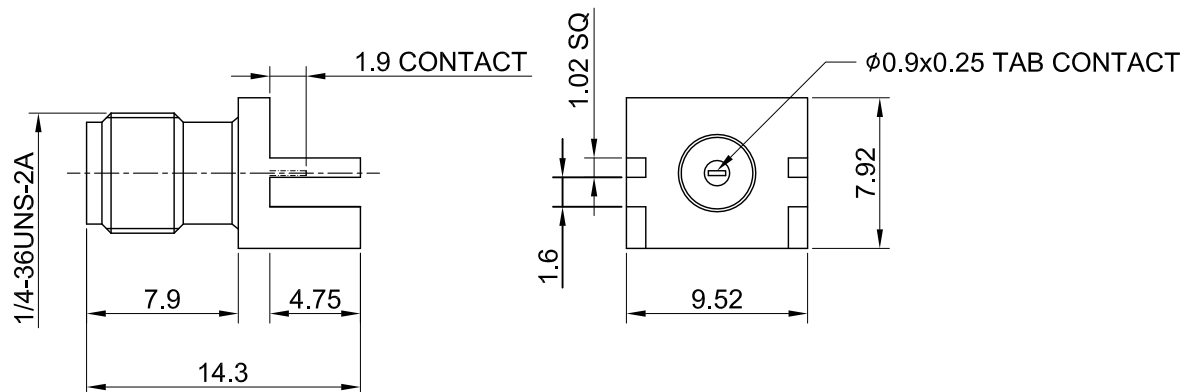


REV	DESCRIPTION	DATE
1.00	INITIAL DESIGN	2021/04/27
1.10	NEW DRAWING FRAME	2023/12/28
1.11	CORRECT FREQUENCY	2024/04/10



RECOMMENDED  
FEET PRINT



MECHANICAL DATA  
 DURABILITY : 500 CYCLES  
 TEMPERATURE RANGE : -65°C ~ + 165°C

ELECTRICAL DATA  
 FREQUENCY RANGE: DC~18GHz  
 IMPEDANCE : 50Ω  
 VSWR : 1.3 MAX.  
 WORKING VOLTAGE : AC 500V  
 WITHSTANDING VOLTAGE : AC 1000V  
 INSULATION RESISTANCE : 5000 MΩ MIN

TITLE  
 SMA(F) st. edge mount 7.92x9.52mm(for PCB thickness 1.6mm),  
 18GHz

DWG NO.  
 C02AJ3146B-2



03	CENTER PIN	Be.Cu	GOLD	1
02	INSULATOR	TEFLON	NONE	1
01	BODY	BRASS	GOLD	1
NO	DESCRIPTION	MATERIAL	FINISH	Q'TY

CUST.  
 P/N: N/A  
 DWG NO: N/A  
 SHEET 1 of 1 Unit: mm

GENERAL TOLERANCES		DRAWN BY: Kelly 2024/04/10	
.X	±0.2	CHK'D BY: Maria	2024/04/10
.XX	±0.2		REV.
.XXX	±0.2		1.11
ANGLES	N/A	DA2404100015	