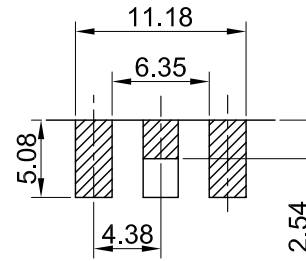
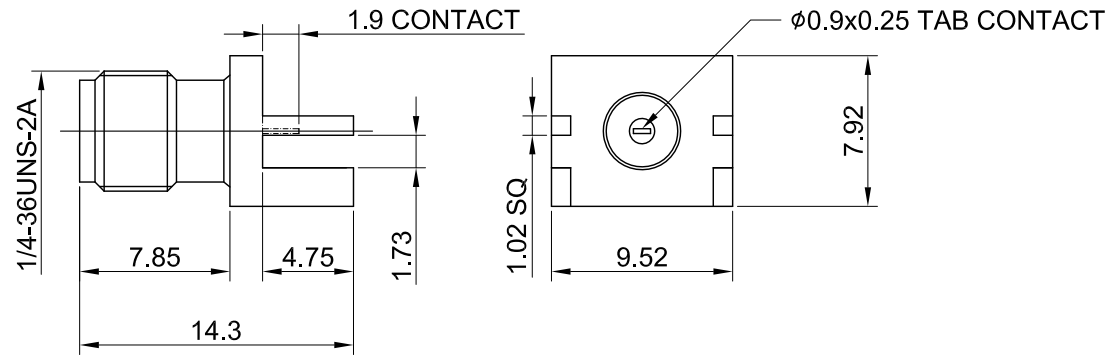


| REV | DESCRIPTION | DATE |
|------|------------------------------|------------|
| 1.20 | CHG DIM 7.85/4.75 w. 7.9/4.7 | 2016/11/14 |
| 1.30 | NEW DRAWING FRAME | 2023/12/28 |



RECOMMENDED FEET PRINT



MECHANICAL DATA
 DURABILITY : 500 CYCLES
 TEMPERATURE RANGE : -65°C ~ + 165°C

ELECTRICAL DATA
 FREQUENCY RANGE: DC~6GHZ
 IMPEDANCE : 50Ω
 VSWR : 1.3 MAX.
 WORKING VOLTAGE : AC 500V
 WITHSTANDING VOLTAGE : AC 1000V
 INSULATION RESISTANCE : 5000 MΩ MIN

| | | | | |
|----|-------------|----------|--------|------|
| 03 | CENTER PIN | Be.Cu | GOLD | 1 |
| 02 | INSULATOR | TEFLON | NONE | 1 |
| 01 | BODY | BRASS | GOLD | 1 |
| NO | DESCRIPTION | MATERIAL | FINISH | Q'TY |

TITLE
 SMA(F) st. edge mount 7.92x9.52mm(for PCB thickness 1.73mm)

DWG NO.
 C02AJ3146D



CUST. P/N: N/A
 DWG NO: N/A
 SHEET 1 of 1 Unit: mm

| GENERAL TOLERANCES | | DRAWN BY: Kelly 2023/12/28 | |
|--------------------|------|----------------------------|------------|
| .X | ±0.2 | CHK'D BY: Maria | 2023/12/28 |
| .XX | ±0.2 | | |
| .XXX | ±0.2 | | |
| ANGLES | N/A | DA2312260046 | REV. 1.30 |