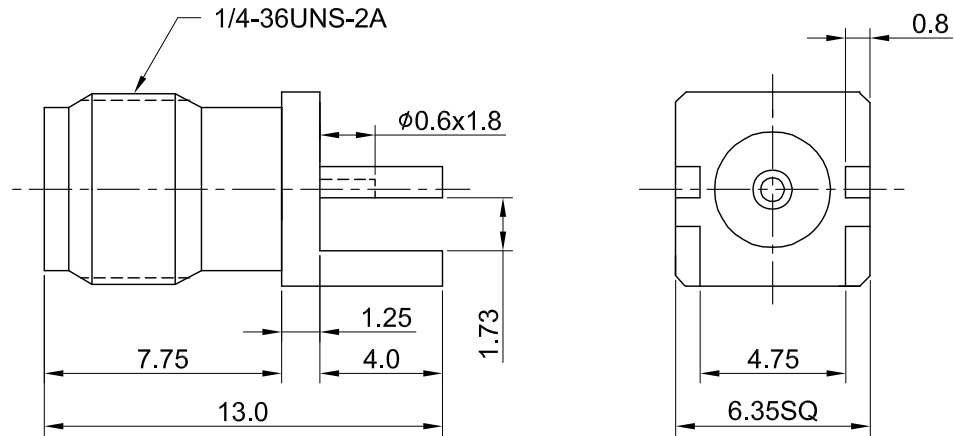
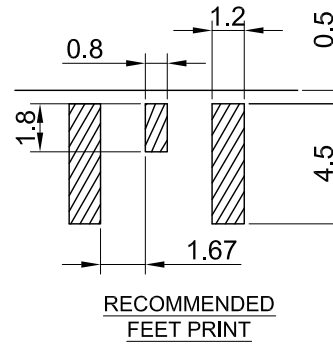



REV	DESCRIPTION	DATE
1.20	NEW DRAWING FRAME	2023/06/26
1.21	CORRECT INSULATION RESISTANCE	2024/02/16



MECHANICAL DATA
 DURABILITY : 500 CYCLES
 TEMPERATURE RANGE : -65°C ~ + 165°C

ELECTRICAL DATA
 FREQUENCY RANGE: DC~6GHZ
 IMPEDANCE : 50Ω
 VSWR : 1.3 MAX.
 WORKING VOLTAGE : AC 500V
 WITHSTANDING VOLTAGE : AC 1000V
 INSULATION RESISTANCE : 5000 MΩ MIN

TITLE SMA(F) st. edge mount, 6.35SQ, GAP1.73, L13	
DWG NO. C02AJ3149	
CUST. P/N: N/A DWG NO: N/A	GENERAL TOLERANCES .X ±0.2 .XX ±0.2 .XXX ±0.2 ANGLES N/A
SHEET 1 of 1 Unit: mm	DRAWN BY: Lottie 2024/02/16 CHK'D BY: Una 2024/02/16 REV. 1.21 DA2401080005

NO	DESCRIPTION	MATERIAL	FINISH	Q'TY
03	PIN	Be.Cu	GOLD	1
02	INSULATOR	TEFLON	NONE	1
01	BODY	BRASS	GOLD	1