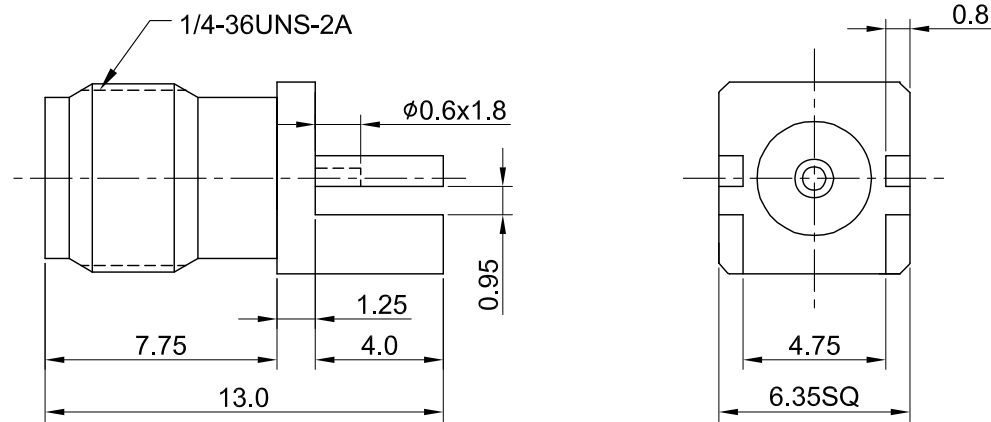
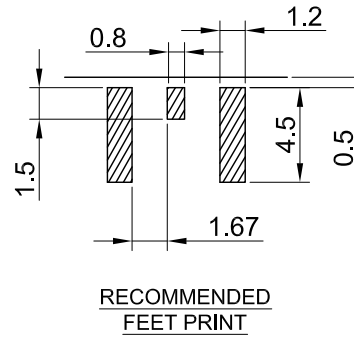






REV	DESCRIPTION	DATE
1.20	NEW DRAWING FRAME	2023/06/26



MECHANICAL DATA  
 DURABILITY : 500 CYCLES  
 TEMPERATURE RANGE : -65°C ~ + 165°C

ELECTRICAL DATA  
 FREQUENCY RANGE: DC~6GHZ  
 IMPEDANCE : 50Ω  
 VSWR : 1.3 MAX.  
 WORKING VOLTAGE : AC 500V  
 WITHSTANDING VOLTAGE : AC 1000V  
 INSULATION RESISTANCE : 5000 mΩ MIN

TITLE SMA(F) st. edge mount, 6.35SQ, GAP 0.95, L13														
DWG NO. C02AJ3149-1														
CUST. P/N: N/A DWG NO: N/A														
<table border="1" style="width: 100%;"> <tr> <td>GENERAL TOLERANCES</td> <td>DRAWN BY: Kelly</td> <td>2023/06/26</td> </tr> <tr> <td>.X ±0.2</td> <td>CHK'D BY: Mindy</td> <td>2023/06/26</td> </tr> <tr> <td>.XX ±0.2</td> <td colspan="2" rowspan="2">  </td> </tr> <tr> <td>.XXX ±0.2</td> </tr> <tr> <td>ANGLES N/A</td> <td>DA2306260004</td> <td>REV. 1.20</td> </tr> </table>		GENERAL TOLERANCES	DRAWN BY: Kelly	2023/06/26	.X ±0.2	CHK'D BY: Mindy	2023/06/26	.XX ±0.2			.XXX ±0.2	ANGLES N/A	DA2306260004	REV. 1.20
GENERAL TOLERANCES	DRAWN BY: Kelly	2023/06/26												
.X ±0.2	CHK'D BY: Mindy	2023/06/26												
.XX ±0.2														
.XXX ±0.2														
ANGLES N/A	DA2306260004	REV. 1.20												

NO	DESCRIPTION	MATERIAL	FINISH	Q'TY
03	PIN	Be.Cu	GOLD	1
02	INSULATOR	TEFLON	NONE	1
01	BODY	BRASS	GOLD	1

SHEET 1 of 1 Unit: mm