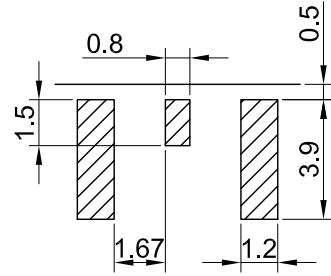
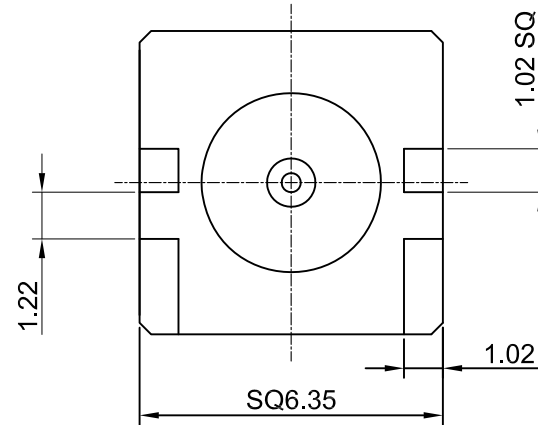
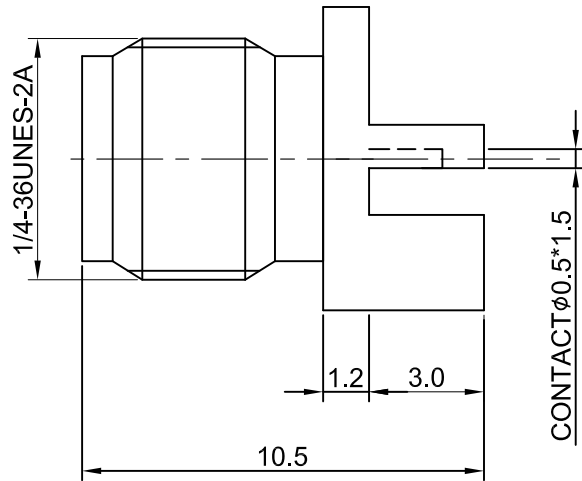


REV	DESCRIPTION	DATE
1.00	INITIAL DESIGN	2011/01/20
1.10	NEW DRAWING FRAME	2024/06/28



RECOMMENDED FEET PRINT



MECHANICAL DATA
 DURABILITY : 500 CYCLES
 TEMPERATURE RANGE : -65°C ~ + 165°C

ELECTRICAL DATA
 FREQUENCY RANGE: DC~6GHZ
 IMPEDANCE : 50Ω
 VSWR : 1.3 MAX.
 WORKING VOLTAGE : AC 500V
 WITHSTANDING VOLTAGE : AC 1000V
 INSULATION RESISTANCE : 5000 MΩ MIN

03	CENTER PIN	Be.Cu	GOLD	1
02	INSULATOR	TEFLON	NONE	1
01	BODY	BRASS	GOLD	1
NO	DESCRIPTION	MATERIAL	FINISH	Q'TY

TITLE
 SMA(F) st. edge mount 6.35x6.35mm(for PCB thickness 1.22mm)

DWG NO.
 C02AJ3159C



CUST. P/N: N/A
 DWG NO: N/A
 SHEET 1 of 1 Unit: mm

GENERAL TOLERANCES		DRAWN BY: Kelly 2024/06/28	
.X	±0.2	CHK'D BY: Chilli	2024/06/28
.XX	±0.2		REV.
.XXX	±0.2		1.10
ANGLES	N/A	DA2406280005	