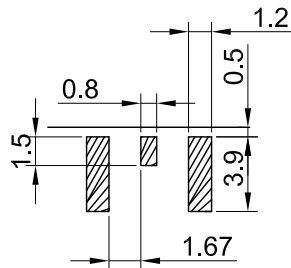
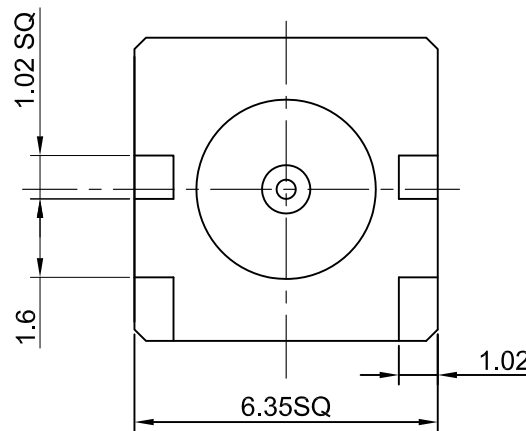
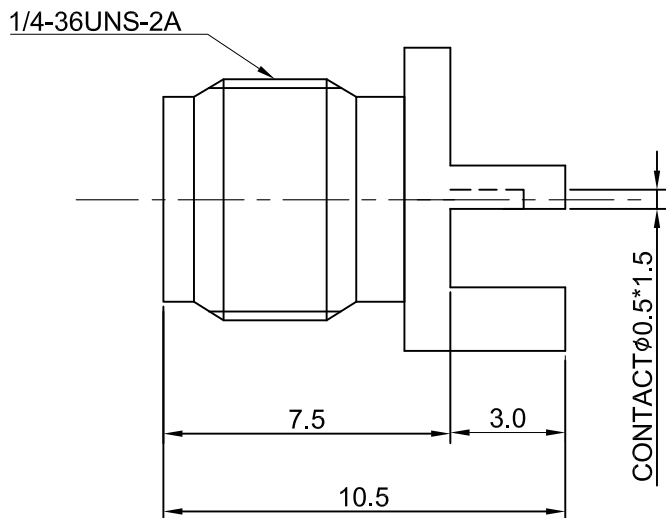


| REV  | DESCRIPTION                | DATE       |
|------|----------------------------|------------|
| 1.10 | ADD RECOMMENDED FEET PRING | 2021/04/16 |
| 1.20 | NEW DRAWING FRAME          | 2024/03/04 |



RECOMMENDED FEET PRINT



MECHANICAL DATA  
 DURABILITY : 500 CYCLES  
 TEMPERATURE RANGE : -65°C ~ + 165°C

ELECTRICAL DATA  
 FREQUENCY RANGE: DC~6GHZ  
 IMPEDANCE : 50Ω  
 VSWR : 1.3 MAX.  
 WORKING VOLTAGE : AC 500V  
 WITHSTANDING VOLTAGE : AC 1000V  
 INSULATION RESISTANCE : 5000 MΩ MIN

| 03 | CENTER PIN  | Be.Cu    | GOLD   | 1    |
|----|-------------|----------|--------|------|
| 02 | INSULATOR   | TEFLON   | NONE   | 1    |
| 01 | BODY        | BRASS    | GOLD   | 1    |
| NO | DESCRIPTION | MATERIAL | FINISH | Q'TY |

TITLE  
 SMA(F) st. edge mount 6.35x6.35mm(for PCB thickness 1.6mm)

DWG NO.  
 C02AJ3159E



CUST. P/N: N/A  
 DWG NO: N/A  
 SHEET 1 of 1 Unit: mm

| GENERAL TOLERANCES |      | DRAWN BY: Kelly 2024/03/04 |            |
|--------------------|------|----------------------------|------------|
| .X                 | ±0.2 | CHK'D BY: Una              | 2024/03/04 |
| .XX                | ±0.2 |                            | REV.       |
| .XXX               | ±0.2 |                            | 1.20       |
| ANGLES             | N/A  | DA2401080010               |            |