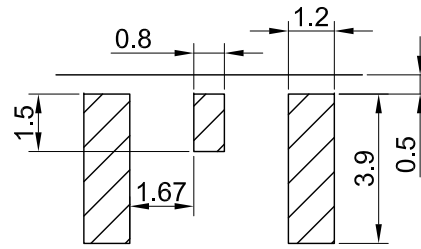
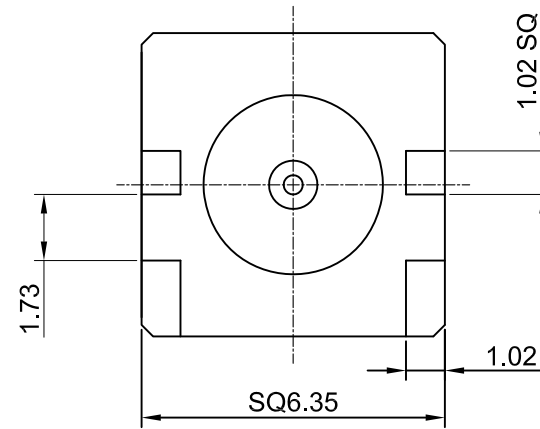
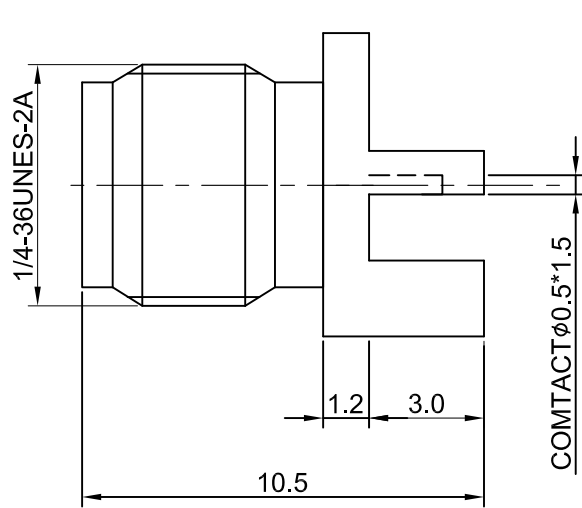


REV	DESCRIPTION	DATE
1.00	INITIAL DESIGN	2011/06/30
1.10	NEW DRAWING FRAME	2024/07/02



RECOMMENDED
PCB LAYOUT



MECHANICAL DATA
DURABILITY : 500 CYCLES
TEMPERATURE RANGE : -65°C ~ + 165°C

ELECTRICAL DATA
FREQUENCY RANGE: DC~6GHZ
IMPEDANCE : 50Ω
VSWR : 1.3 MAX.
WORKING VOLTAGE : AC 500V
WITHSTANDING VOLTAGE : AC 1000V
INSULATION RESISTANCE : 5000 MΩ MIN

03	CENTER PIN	Be.Cu	GOLD	1
02	INSULATOR	TEFLON	NONE	1
01	BODY	BRASS	GOLD	1
NO	DESCRIPTION	MATERIAL	FINISH	Q'TY

TITLE		DRAWN BY: Kelly		2024/07/02	
SMA(F) st. edge mount 6.35x6.35mm(for PCB thickness 1.73mm)		CHK'D BY: Chilli		2024/07/02	
DWG NO. C02AJ3159F				REV. 1.10	
CUST. P/N: N/A DWG NO: N/A		GENERAL TOLERANCES .X ±0.2 .XX ±0.2 .XXX ±0.2 ANGLES N/A		SHEET 1 of 1 Unit: mm DA2407010005	