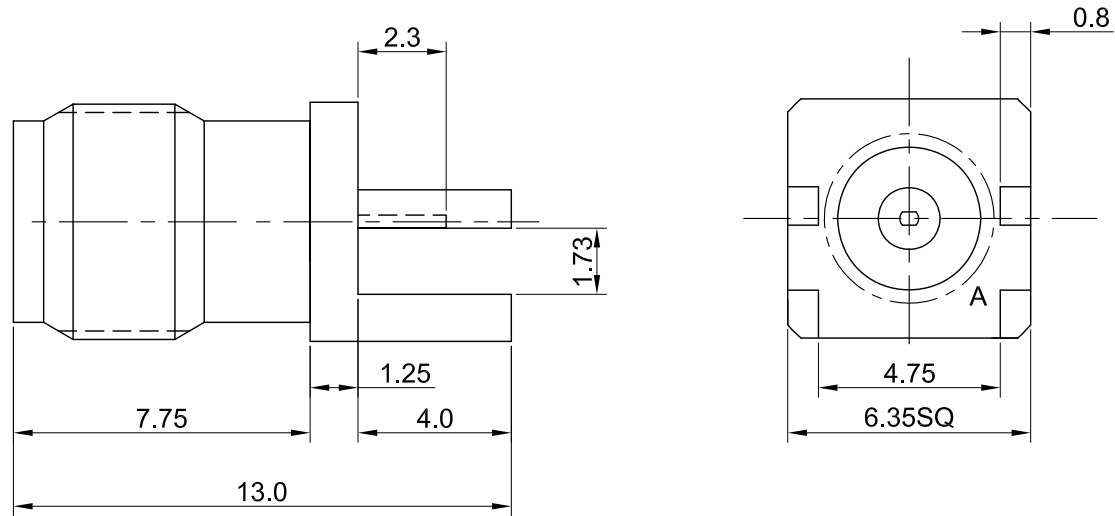
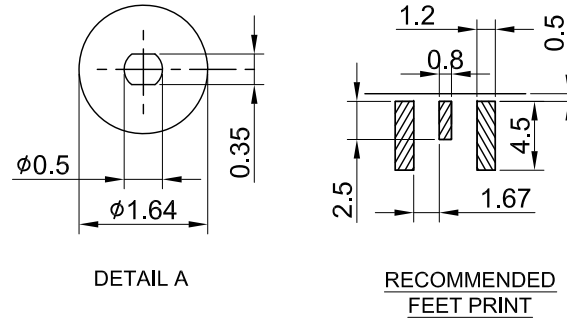


REV	DESCRIPTION	DATE
1.00	INITIAL DESIGN	2021/12/06
1.10	NEW DRAWING FRAME	2024/02/02



MECHANICAL DATA  
 DURABILITY : 500 CYCLES  
 TEMPERATURE RANGE : -65°C ~ + 165°C

ELECTRICAL DATA  
 FREQUENCY RANGE: DC~6GHz  
 IMPEDANCE : 50Ω  
 VSWR : 1.3 MAX.  
 WORKING VOLTAGE : AC 500V  
 WITHSTANDING VOLTAGE : AC 1000V  
 INSULATION RESISTANCE : 5000 MΩ MIN

TITLE  
 SMA(F) st. edge mount 6.35x6.35mm(for PCB thickness 1.73mm), flat pin O0.5xL2.3

DWG NO.  
 C02AJ3159FP



03	CENTER PIN	Be.Cu	GOLD	1
02	INSULATOR	TEFLON	NONE	1
01	BODY	BRASS	GOLD	1
NO	DESCRIPTION	MATERIAL	FINISH	Q'TY

CUST.  
 P/N: N/A  
 DWG NO: N/A

GENERAL TOLERANCES  
 .X ±0.2  
 .XX ±0.2  
 .XXX ±0.2  
 ANGLES N/A

DRAWN BY: Kelly 2024/02/02  
 CHK'D BY: Maria 2024/02/02

REV. 1.10  
 DA2402020008

SHEET 1 of 1 Unit: mm