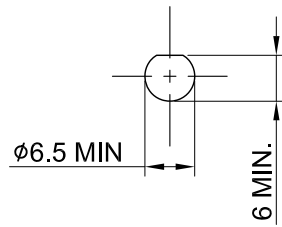
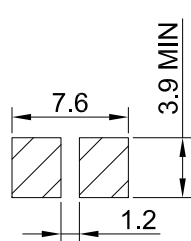


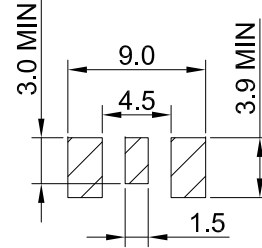
REV	DESCRIPTION	DATE
1.00	INITIAL DESIGN	2023/05/08
2.00	CHG FOOT PRINT	2023/05/19
2.10	CORRECT 1.55 W. 1.15	2023/09/01



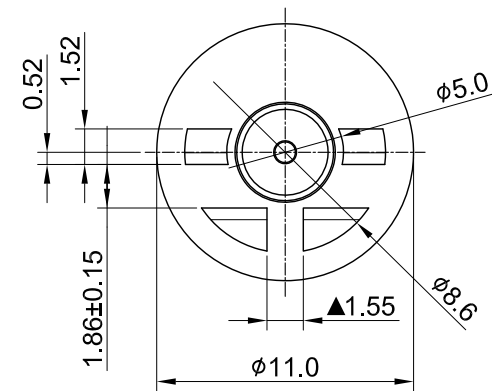
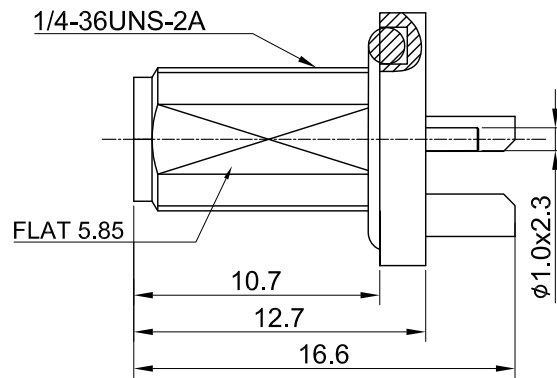
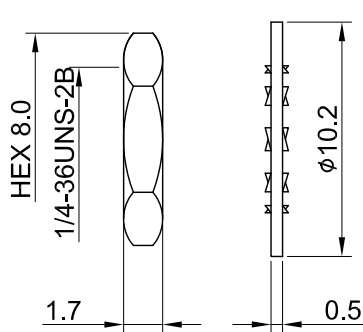
RECOMMENDED MOUNTING HOLE



RECOMMENDED BOTTOM FEET PRINT



RECOMMENDED TOP FEET PRINT



MECHANICAL DATA
 DURABILITY : 100 CYCLES
 TEMPERATURE RANGE : -65°C ~ + 165°C

DIELECTRICAL DATA
 FREQUENCY RANGE: DC~6GHZ
 IMPEDANCE : 50Ω
 VSWR : 1.5 MAX.

10	BARREL	BRASS	GOLD	1
09	INSULATOR B	TEFLON	NONE	1
08	PIN	P.BRONZE	GOLD	1
07	GASKET B	SILICONE RUBBER	RED	1
06	GASKET A	SILICONE RUBBER	RED	1
05	INSULATOR A	TEFLON	NONE	1
04	BODY	BRASS	GOLD	1
03	O RING	SILICONE RUBBER	RED	1
02	WASHER	BRASS	GOLD	1
01	NUT	BRASS	GOLD	1
NO	DESCRIPTION	MATERIAL	FINISH	Q'TY

TITLE
 SMA(F) bh. wOring, edge mount, GAP1.86, L16.6, 5psi, 6GHz

DWG NO.
 C02AJWS10T-1

CUST.
 P/N: N/A
 DWG NO: N/A

SHEET 1 of 1 Unit: mm



GENERAL TOLERANCES		DRAWN BY: Kelly 2023/09/01	
.X	±0.2	CHK'D BY: JD.Wu	2023/09/01
.XX	±0.2		
.XXX	±0.2		
ANGLES	N/A		
		REV.	2.10
		DA2309010010	