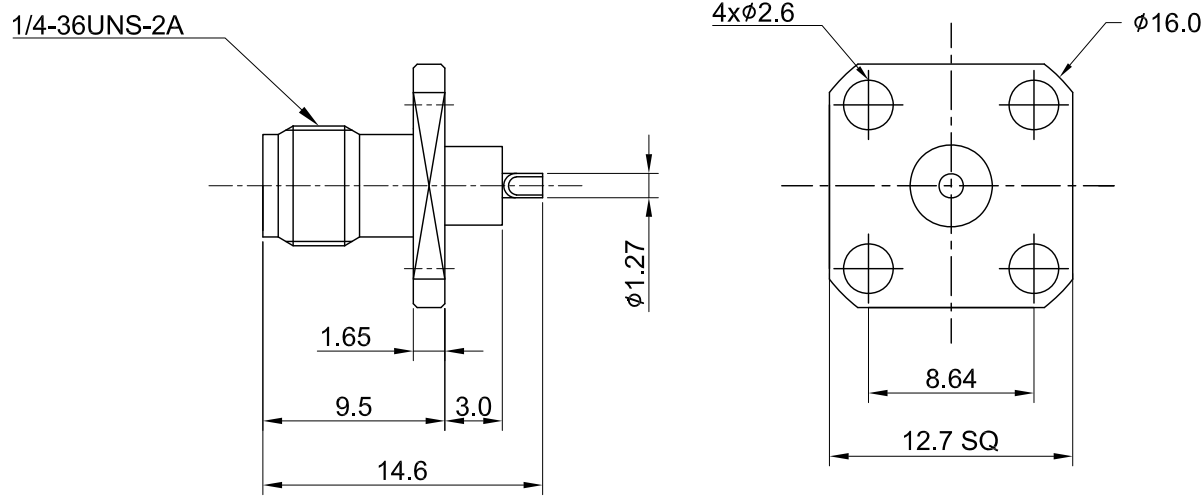


REV	DESCRIPTION	DATE
1.00	INITIAL DESIGN	2018/08/02
1.10	NEW DRAWING FRAME	2024/01/18



MECHANICAL DATA  
 DURABILITY : 500 CYCLES  
 TEMPERATURE RANGE : -65°C ~ + 165°C

ELECTRICAL DATA  
 FREQUENCY RANGE: DC ~ 6GHz  
 IMPEDANCE : 50Ω  
 VSWR : 1.3 MAX.  
 WORKING VOLTAGE : AC 500V  
 WITHSTANDING VOLTAGE : AC 1000V  
 INSULATION RESISTANCE : 5000 MΩ MIN

04	INSULATOR B	TEFLON	NONE	1
03	INSULATOR A	TEFLON	NONE	1
02	PIN	Be Cu	GOLD	1
01	BODY	BRASS	GOLD	1
NO	DESCRIPTION	MATERIAL	FINISH	Q'TY

TITLE		DRAWN BY: Lottie		2024/01/18	
SMA(F) 4 hole panel mount w/extended 3.0mm PTFE, solder cup		CHK'D BY: Kelly		2024/01/18	
DWG NO. C02AM3140		REVISIONS		REV. 1.10	
CUST. P/N: N/A		GENERAL TOLERANCES		DA2401020015	
DWG NO: N/A		.X ±0.2		Unit: mm	
SHEET 1 of 1		.XX ±0.2			
		.XXX ±0.2			
		ANGLES N/A			

