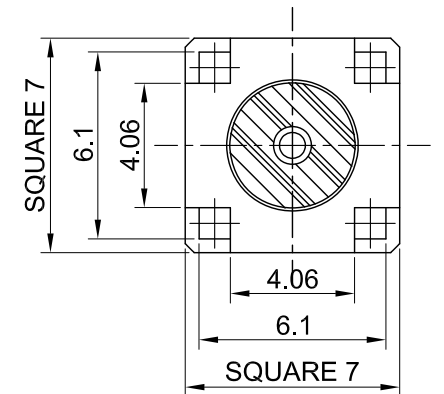
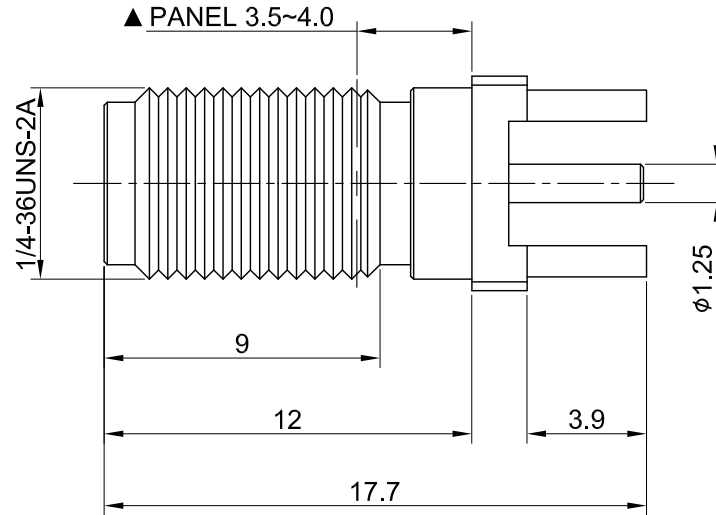
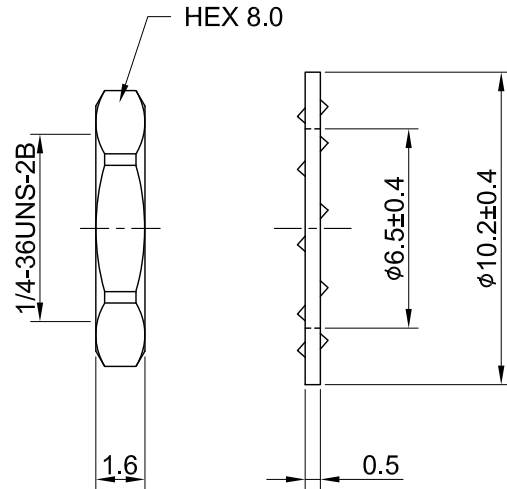
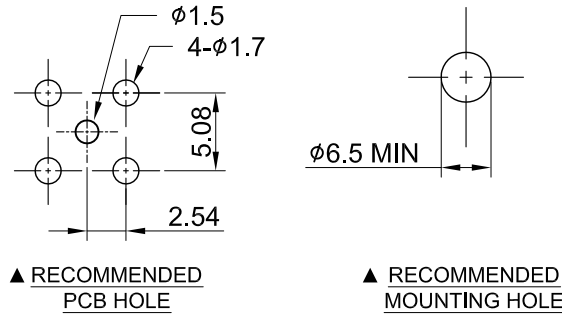


REV	DESCRIPTION	DATE
1.20	ADD WASHER & NUT	2023/07/06
1.21	CORRECT INSULATION RESISTANCE	2023/10/24
1.30	ADD RECOMMENDED MOUNTING HOLE, PALNEL 3.5~4.0, UPDATE RECOMMENDED PCB HOLE	2024/03/19



MECHANICAL DATA  
 DURABILITY : 100 CYCLES  
 TEMPERATURE RANGE : -65°C ~ + 165°C

ELECTRICAL DATA  
 FREQUENCY RANGE: DC~18GHz  
 IMPEDANCE : 50Ω  
 VSWR : 1.3 MAX.  
 WORKING VOLTAGE : AC 500V  
 WITHSTANDING VOLTAGE : AC 1000V  
 INSULATION RESISTANCE : 5000 MΩ MIN

NO	DESCRIPTION	MATERIAL	FINISH	Q'TY
05	NUT	BRASS	GOLD	1
04	WASHER	BRASS	GOLD	1
03	CENTER PIN	P.BRONZE	GOLD	1
02	INSULATOR	TEFLON	NONE	1
01	BODY	BRASS	GOLD	1

TITLE SMA(F) bh. PCB type, total L17.7			
DWG NO. C02A03F01E			
CUST. P/N: N/A DWG NO: N/A		GENERAL TOLERANCES .X ±0.2 .XX ±0.2 .XXX ±0.2 ANGLES N/A	DRAWN BY: Kelly 2024/03/19 CHK'D BY: Mindy 2024/03/19
SHEET 1 of 1	Unit: mm		REV. 1.30

DA2403190001