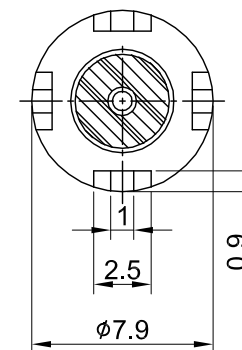
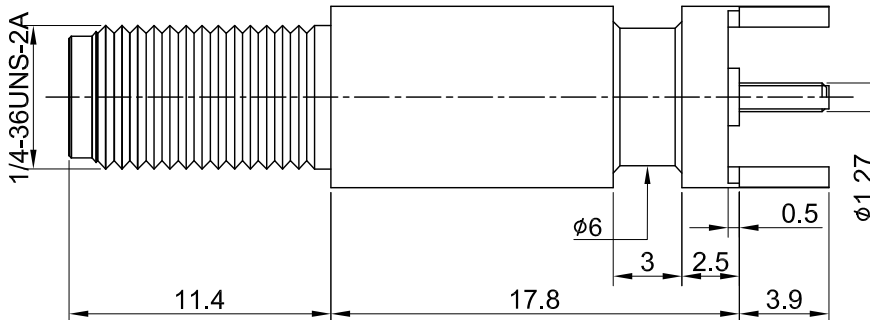
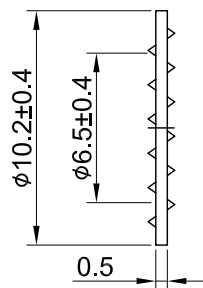
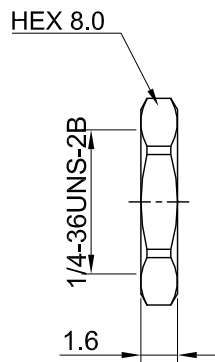
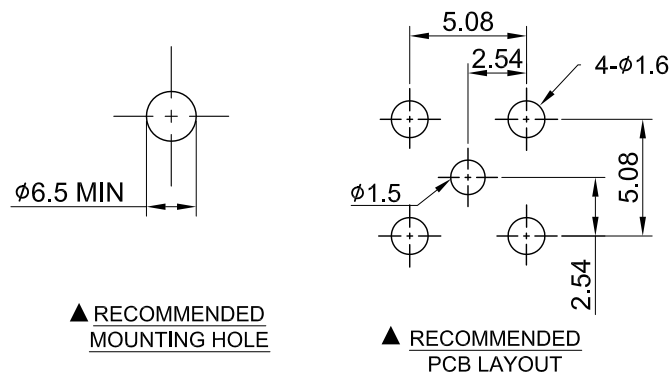


REV	DESCRIPTION	DATE
1.10	NEW DRAWING FRAME	2023/08/23
1.20	UPDATE RECOMMENDED PCB LAYOUT & DURABILITY & ELECTRICAL DATA, ADD RECOMMENDED MOUNTING HOLE	2024/06/04



MECHANICAL DATA
 DURABILITY : 500 CYCLES
 TEMPERATURE RANGE : -65°C ~ + 165°C

ELECTRICAL DATA
 FREQUENCY RANGE: DC~18GHz
 IMPEDANCE : 50Ω
 VSWR : 1.3 MAX.
 WORKING VOLTAGE : AC 500V
 WITHSTANDING VOLTAGE : AC 1000V
 INSULATION RESISTANCE : 5000 MΩ MIN

TITLE
 SMA(F) bh. PCB type, thread L11.4, total L33.1

05	NUT	BRASS	GOLD	1
04	WASHER	BRASS	GOLD	1
03	CENTER PIN	Be.Cu	GOLD	1
02	BODY	BRASS	GOLD	1
01	INSULATOR	TEFLON	NONE	1
NO	DESCRIPTION	MATERIAL	FINISH	Q'TY

DWG NO.
 C02A03F01F

CUST.
 P/N: N/A
 DWG NO: N/A

SHEET 1 of 1 Unit: mm

Wellshow

GENERAL TOLERANCES
 .X ±0.2
 .XX ±0.2
 .XXX ±0.2
 ANGLES N/A

DRAWN BY: Kelly 2024/06/04
 CHK'D BY: Chili 2024/06/04

REV.
 1.20

DA2406040012