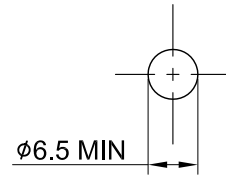
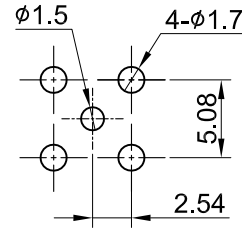


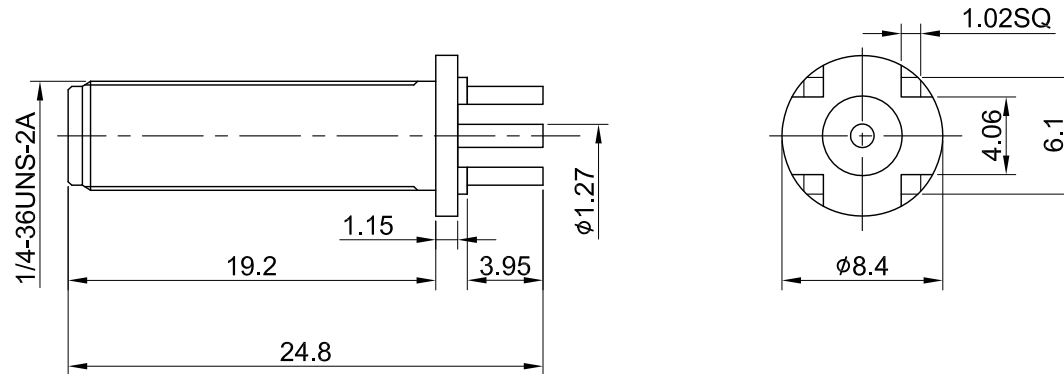
REV	DESCRIPTION	DATE
1.00	INITIAL DESIGN	2013/08/08
1.10	ADD RECOMMENDED PCB HOLE	2024/01/17
1.20	ADD RECOMMENDED MOUNTING HOL	2024/06/13



▲ RECOMMENDED MOUNTING HOLE




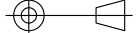
RECOMMENDED PCB HOLE



MECHANICAL DATA
 DURABILITY : 500 CYCLES
 TEMPERATURE RANGE : -65°C ~ + 165°C

ELECTRICAL DATA
 FREQUENCY RANGE: DC~6GHz
 IMPEDANCE : 50Ω
 VSWR : 1.3 MAX.
 WORKING VOLTAGE : AC 500V
 WITHSTANDING VOLTAGE : AC 1000V
 INSULATION RESISTANCE : 5000 MΩ MIN

03	CENTER PIN	Be.Cu	GOLD	1
02	INSULATOR	TEFLON	NONE	1
01	BODY	BRASS	GOLD	1
NO	DESCRIPTION	MATERIAL	FINISH	Q'TY

TITLE	
SMA(F) st. PCB type L=24.8mm, no washer, no nut	
DWG NO. C02AO3101D	
CUST. P/N: N/A DWG NO: N/A	
SHEET 1 of 1	GENERAL TOLERANCES .X ±0.2 .XX ±0.2 .XXX ±0.2 ANGLES N/A
Unit: mm	DRAWN BY: Kelly 2024/06/13 CHK'D BY: Chili 2024/06/13  REV. DA2406130024 1.20