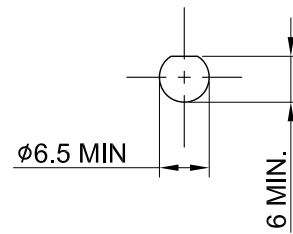
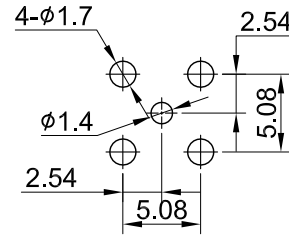


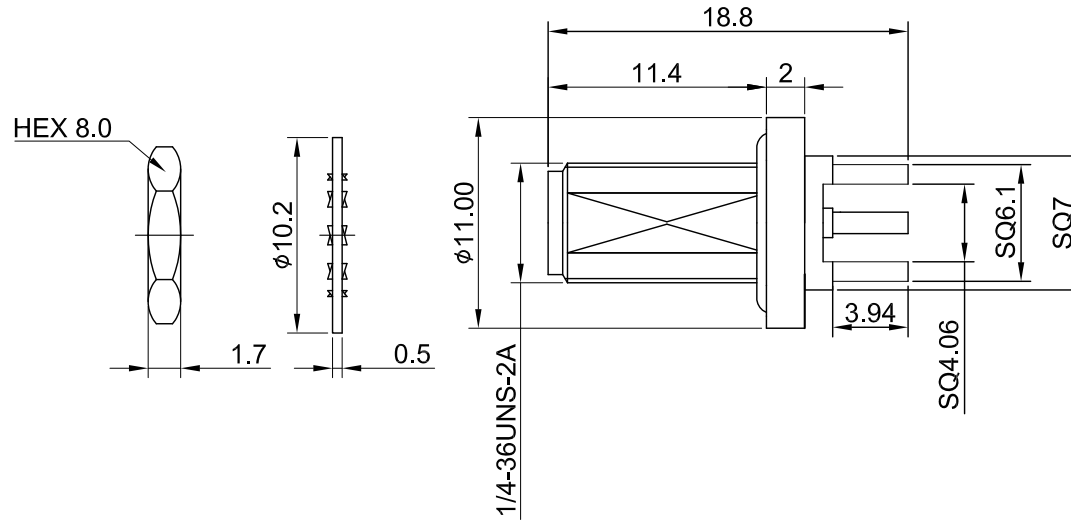
REV	DESCRIPTION	DATE
2.12	CORRECT THE PART NAME	2020/07/02
2.20	NEW DRAWING FRAME	2024/02/02



RECOMMENDED MOUNTING HOLE



RECOMMENDED P.C.B LAYOUT



MECHANICAL DATA
 DURABILITY : 100 CYCLES
 TEMPERATURE RANGE : -65°C ~ + 165°C

ELECTRICAL DATA
 FREQUENCY RANGE: DC~3GHz
 IMPEDANCE : 50Ω
 VSWR : 1.5 MAX.
 WORKING VOLTAGE : AC 500V
 WITHSTANDING VOLTAGE : AC 500V
 INSULATION RESISTANCE : 5000 MΩ MIN

NOTE
 PRESS THE ORING FULLY AND TIGHTLY FOR WATERPROOF.

08	O-RING	SILICONE RUBBER	RED	1	TITLE	
07	RING	BRASS	GOLD	1	SMA(F) st. bh. wOring PCB type, 5psi, 3GHz	
06	GASKET	SILICONE RUBBER	RED	1	DWG NO. C02AOWS01T	
05	CENTER PIN	P.BRONZE	GOLD	1	CUST. P/N: N/A DWG NO: N/A	
04	INSULATOR A	TEFLON	NONE	2		
03	BODY	BRASS	GOLD	1	GENERAL TOLERANCES .X ±0.2 .XX ±0.2 .XXX ±0.2 ANGLES N/A	DRAWN BY: Kelly 2024/02/02
02	WASHER	BRASS	GOLD	1		CHK'D BY: Maria 2024/02/02
01	NUT	BRASS	GOLD	1	SHEET 1 of 1 Unit: mm	 REV. 2.20
NO	DESCRIPTION	MATERIAL	FINISH	Q'TY		DA2402020002