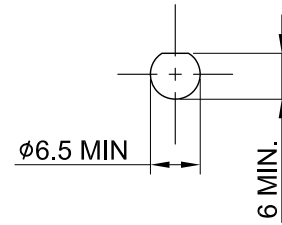
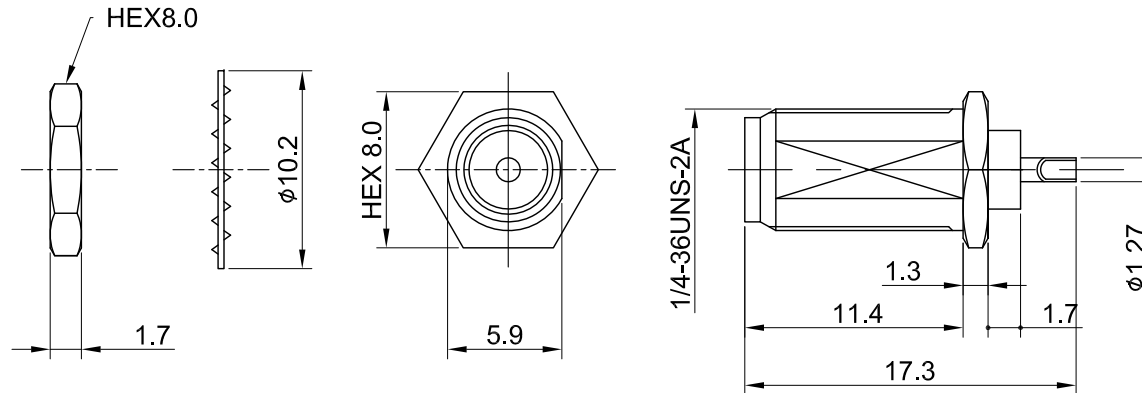


REV	DESCRIPTION	DATE
A	INITIAL DESIGN	2010/09/27
1.10	NEW DRAWING FRAME	2023/12/28



RECOMMENDED
MOUNTING HOLE



MECHANICAL DATA
DURABILITY : 500 CYCLES
TEMPERATURE RANGE : -65°C ~ + 165°C

ELECTRICAL DATA
FREQUENCY RANGE: DC~6GHz
IMPEDANCE : 50Ω
VSWR : 1.3 MAX.
WORKING VOLTAGE : AC 500V
WITHSTANDING VOLTAGE : AC 1000V
INSULATION RESISTANCE : 5000 MΩ MIN

TITLE		DRAWN BY: Kelly		2023/12/28	
SMA(F) st. bh. receptacle (solder cup)		CHK'D BY: Maria		2023/12/28	
DWG NO. C02AT3126A		GENERAL TOLERANCES			
CUST. P/N: N/A		.X ±0.2			
DWG NO: N/A		.XX ±0.2		REV. 1.10	
SHEET 1 of 1		.XXX ±0.2		DA2312260056	
Unit: mm		ANGLES N/A			

NO	DESCRIPTION	MATERIAL	FINISH	Q'TY
05	NUT	BRASS	GOLD	1
04	WASHER	BRASS	GOLD	1
03	CENTER PIN	Be.Cu	GOLD	1
02	INSULATOR A	TEFLON	NONE	1
01	BODY	BRASS	GOLD	1