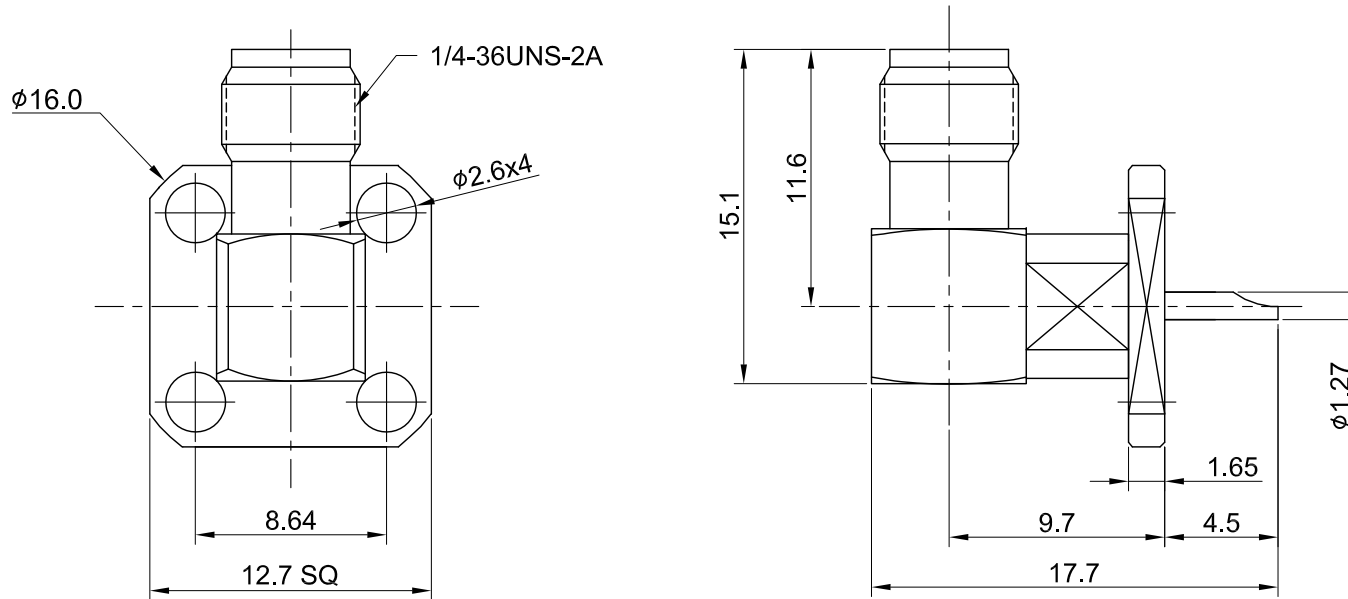


REV	DESCRIPTION	DATE
1.20	NEW DRAWING FRAME	2023/07/19
1.21	CORRECT INSULATION RESISTANCE UNIT	2023/12/22



MECHANICAL DATA
 DURABILITY : 500 CYCLES
 TEMPERATURE RANGE : -65°C ~ + 165°C

ELECTRICAL DATA
 FREQUENCY RANGE: DC~6GHZ
 IMPEDANCE : 50Ω
 VSWR : 1.3 MAX.
 WORKING VOLTAGE : AC 500V
 WITHSTANDING VOLTAGE : AC 1000V
 INSULATION RESISTANCE : 5000 MΩ MIN

03	CENTER PIN	Be.Cu	GOLD	1
02	INSULATOR	TEFLON	NONE	1
01	BODY	BRASS	GOLD	1
NO	DESCRIPTION	MATERIAL	FINISH	Q'TY

TITLE		DRAWN BY: Kelly		2023/12/22	
SMA(F)ra.4H.solder cup		CHK'D BY: Eileen		2023/12/22	
DWG NO. C02BG3168		REVISION		REV. 1.21	
CUST. P/N: N/A		DRAWN BY: Kelly		2023/12/22	
DWG NO: N/A		CHK'D BY: Eileen		2023/12/22	
SHEET 1 of 1		Unit: mm		DA2312220002	



GENERAL TOLERANCES
 .X ±0.2
 .XX ±0.2
 .XXX ±0.2
 ANGLES N/A

