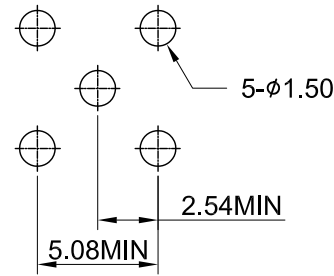
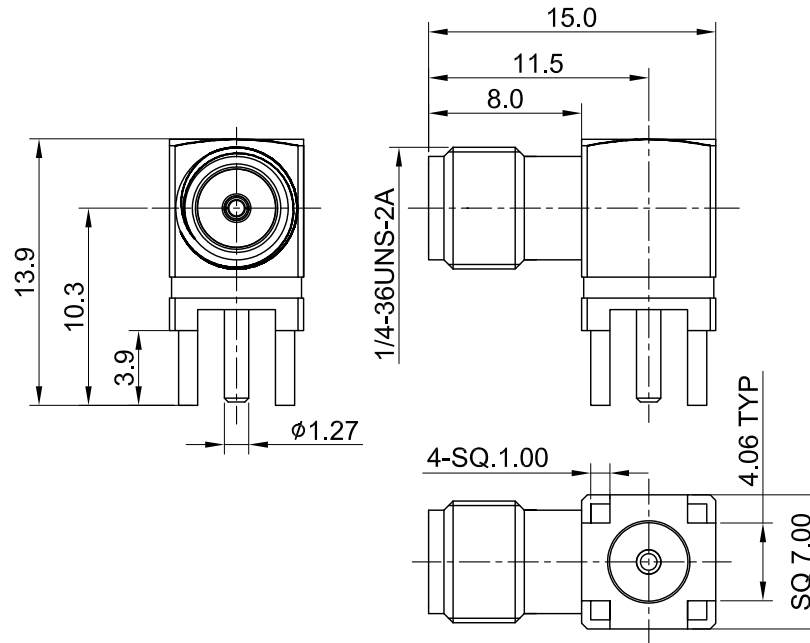


REV	DESCRIPTION	DATE
A	INITIAL DESIGN	2009/05/05
1.10	NEW DRAWING FRAME	2023/12/14



RECOMMENDED STRIP LENGTHS



MECHANICAL DATA
 DURABILITY : 500 CYCLES
 TEMPERATURE RANGE : -65°C ~ + 165°C

ELECTRICAL DATA
 FREQUENCY RANGE: DC~6GHz
 IMPEDANCE : 50Ω
 VSWR : 1.25 MAX.
 WORKING VOLTAGE : AC 500V
 INSULATION RESISTANCE : 5000 MΩ MIN

05	INSULATOR B	TEFLON	NONE	1
04	BODY B	BRASS	GOLD	1
03	CENTER PIN	Be.Cu	GOLD	1
02	INSULATOR A	TEFLON	NONE	1
01	BODY A	BRASS	GOLD	1
NO	DESCRIPTION	MATERIAL	FINISH	Q'TY

TITLE		DRAWN BY: Kelly		2023/12/14	
SMA(F) ra., PCB type, Leg length 3.9mm		CHK'D BY: Eileen		2023/12/14	
DWG NO. C02BN30P00102		CUST. P/N: N/A		DWG NO: N/A	
SHEET 1 of 1		Unit: mm		REV. 1.10	



GENERAL TOLERANCES		DRAWN BY: Kelly		2023/12/14	
.X	±0.2	CHK'D BY: Eileen		2023/12/14	
.XX	±0.2	DA2312130021		REV. 1.10	
.XXX	±0.2				
ANGLES	N/A				