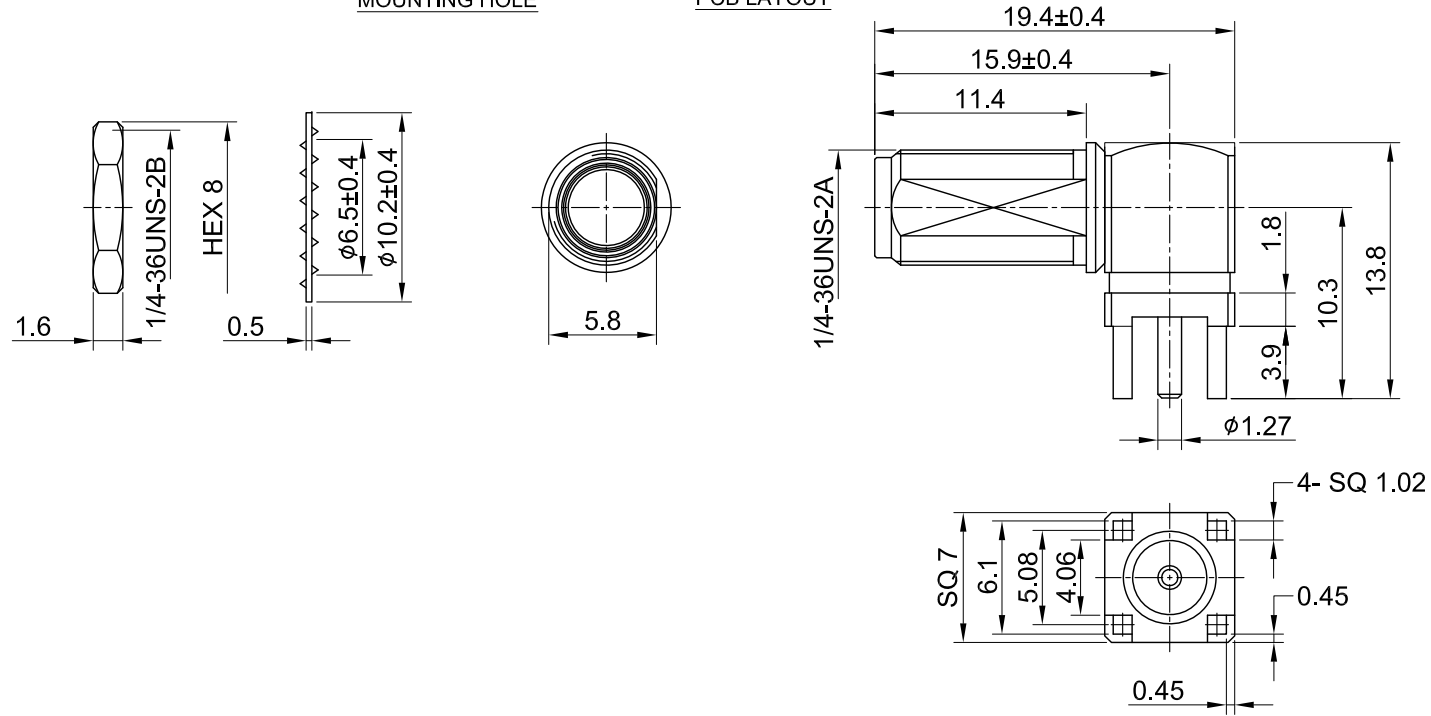
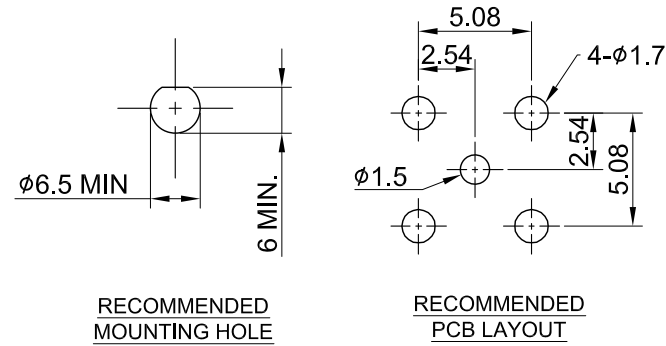



REV	DESCRIPTION	DATE
2.20	NEW DRAWING FRAME	2023/09/06
2.30	CORRECT INSULATION RESISTANCE	2023/11/16



MECHANICAL DATA
 DURABILITY : 100 CYCLES
 TEMPERATURE RANGE : -65°C ~ + 165°C

ELECTRICAL DATA
 FREQUENCY RANGE: DC~6GHZ
 IMPEDANCE : 50Ω
 VSWR : 1.3 MAX.
 WORKING VOLTAGE : AC 500V
 WITHSTANDING VOLTAGE : AC 1000V
 INSULATION RESISTANCE : 5000 MΩ MIN

07	NUT	BRASS	GOLD	1
06	WASHER	BRASS	GOLD	1
05	INSULATOR B	TEFLON	NONE	1
04	BODY B	BRASS	GOLD	1
03	CENTER PIN	P.BRONZE	GOLD	1
02	INSULATOR A	TEFLON	NONE	1
01	BODY A	BRASS	GOLD	1
NO	DESCRIPTION	MATERIAL	FINISH	Q'TY

TITLE		DRAWN BY: Lottie		2023/11/16
SMA(F) RA bulkhead PCB type		CHK'D BY: Kana		2023/11/16
DWG NO. C02BO3FP00102B		GENERAL TOLERANCES		
CUST. P/N: N/A DWG NO: N/A		.X ±0.2 .XX ±0.2 .XXX ±0.2 ANGLES N/A		
SHEET 1 of 1	Unit: mm	DA2311140017		REV. 2.30