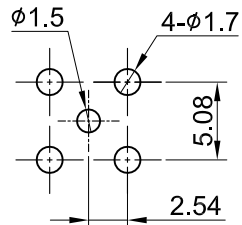
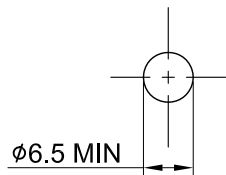
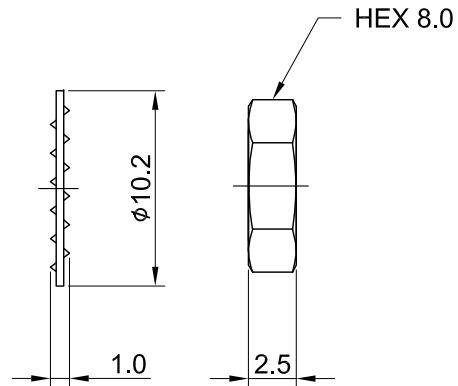
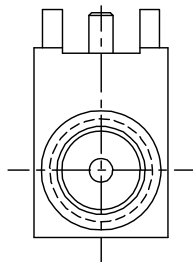
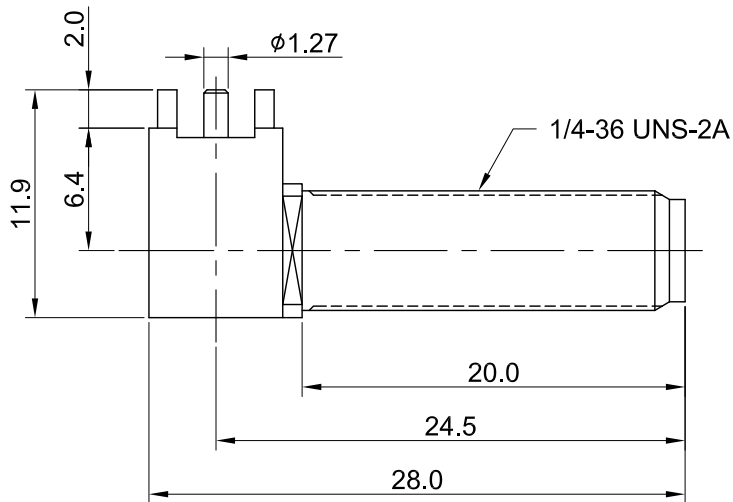
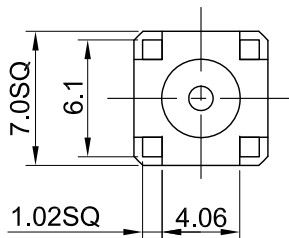


REV	DESCRIPTION	DATE
2.00	Drawing update	2019/09/16
2.10	NEW DRAWING FRAME	2024/03/04



RECOMMENDED MOUNTING HOLE

RECOMMENDED PCB HOLE



MECHANICAL DATA
 DURABILITY : 500 CYCLES
 TEMPERATURE RANGE : -65°C ~ + 165°C

ELECTRICAL DATA
 FREQUENCY RANGE: DC ~ 6GHz
 IMPEDANCE : 50Ω
 VSWR : 1.5 MAX.
 WORKING VOLTAGE : AC 500V
 WITHSTANDING VOLTAGE : AC 1000V
 INSULATION RESISTANCE : 5000 MΩ MIN

NO	DESCRIPTION	MATERIAL	FINISH	Q'TY
05	NUT	BRASS	GOLD	1
04	WASHER	BRASS	GOLD	1
03	INSULATOR	TEFLON	NONE	1
02	PIN	Be Cu	GOLD	1
01	BODY	BRASS	GOLD	1

TITLE
 SMA Right Angle Bulkhead PCB Type, 20mm Thread length

DWG NO. C02BO3102H
CUST. P/N: N/A DWG NO: N/A
SHEET 1 of 1 Unit: mm

Wellshow

GENERAL TOLERANCES	DRAWN BY: Lottie	2024/03/04
.X ±0.2	CHK'D BY: Kelly	2024/03/04
.XX ±0.2		
.XXX ±0.2		
ANGLES N/A		
DA2401080008	REV.	2.10