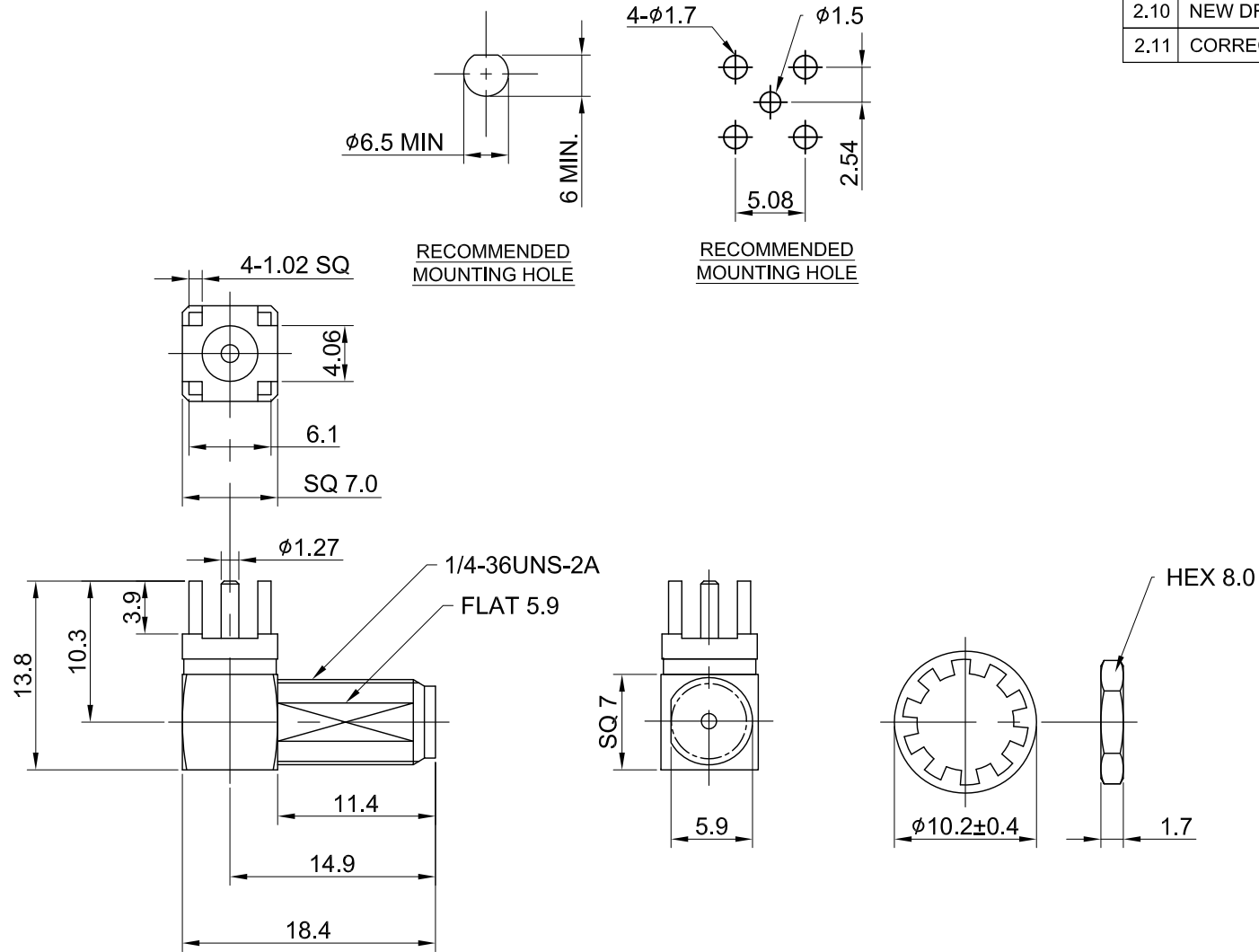


REV	DESCRIPTION	DATE
2.10	NEW DRAWING FRAME	2023/08/29
2.11	CORRECT INSULATION RESISTANCE UNIT	2024/01/17



MECHANICAL DATA  
 DURABILITY : 500 CYCLES  
 TEMPERATURE RANGE : -65°C ~ + 165°C

ELECTRICAL DATA  
 FREQUENCY RANGE: DC~6GHz  
 IMPEDANCE : 50Ω  
 VSWR : 1.5 MAX.  
 WORKING VOLTAGE : AC 500V  
 WITHSTANDING VOLTAGE : AC 1000V  
 INSULATION RESISTANCE : 5000 MΩ MIN

TITLE  
 SMA(F) bh. RA PCB type w.3.9mm leg lengths

NO	DESCRIPTION	MATERIAL	FINISH	Q'TY
05	NUT	BRASS	GOLD	1
04	WASHER	BRASS	GOLD	1
03	CENTER PIN	Be.Cu	GOLD	1
02	INSULATOR	TEFLON	NONE	1
01	BODY	BRASS	GOLD	1

DWG NO. C02BO31P00102B
CUST. P/N: N/A DWG NO: N/A
SHEET 1 of 1 Unit: mm

GENERAL TOLERANCES

.X ±0.2

.XX ±0.2

.XXX ±0.2

ANGLES N/A

DRAWN BY: Kelly 2024/01/17

CHK'D BY: David 2024/01/17

REV. 2.11

DA2401020028