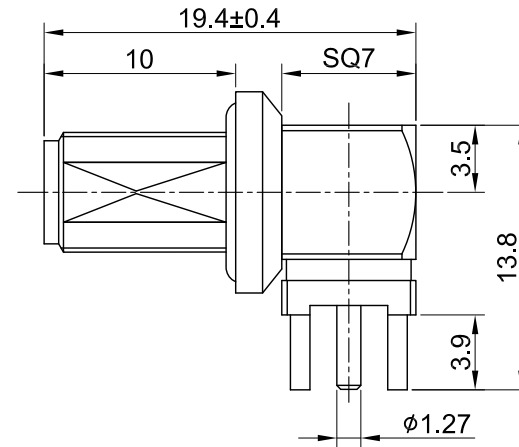
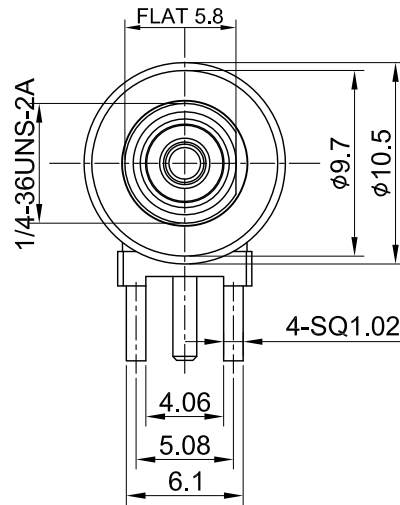
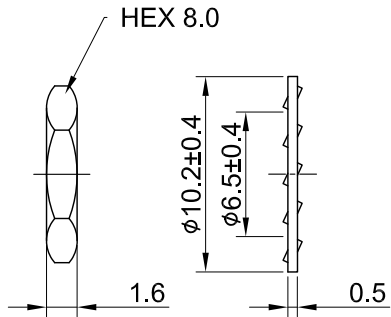
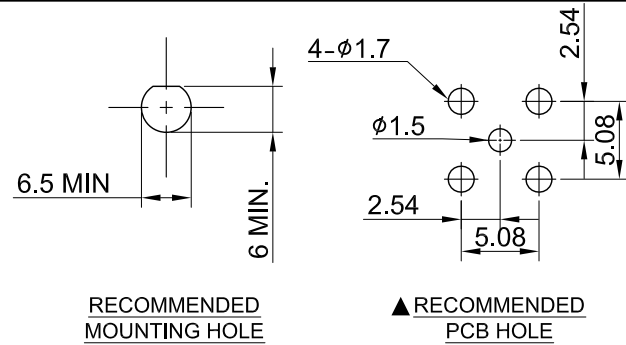


REV	DESCRIPTION	DATE
1.00	INITIAL DESIGN	2022/12/22
1.10	UPDATE RECOMMENDED PCB HOLE	2024/06/26




12	ORING C	SILICONE RUBBER	RED	1
11	NUT	STAINLESS STEEL	PASSIVATED	1
10	LOCK WASHER	STAINLESS STEEL	PASSIVATED	1
09	PIN	P.BRONZE	GOLD	1
08	INSULATOR C	TEFLON	NONE	1
07	BODY B	BRASS	GOLD	1
06	INSULATOR B	TEFLON	NONE	1
05	ORING B	SILICONE RUBBER	NONE	1
04	ORING A	SILICONE RUBBER	NONE	1
03	INSULATOR A	TEFLON	NONE	1
02	WASHER	BRASS	NICKEL	1
01	BODY A	STAINLESS STEEL	PASSIVATED	1
NO	DESCRIPTION	MATERIAL	FINISH	Q'TY

TITLE
SMA(F) ra. bh. w/Oring, PCB type, 5psi, SUS/Passivated(L10)

DWG NO.
C02FOWS02T-1

CUST.
P/N: N/A
DWG NO: N/A

SHEET 1 of 1 Unit: mm



GENERAL TOLERANCES

.X	±0.2	DRAWN BY: Kelly	2024/06/26
.XX	±0.2	CHK'D BY: Chili	2024/06/26
.XXX	±0.2	REV.	1.10
ANGLES	N/A	DA2406260025	

MECHANICAL DATA
DURABILITY : 100 CYCLES
TEMPERATURE RANGE : -65°C ~ + 165°C

ELECTRICAL DATA
FREQUENCY RANGE: DC~6GHZ
IMPEDANCE : 50Ω
VSWR : 1.3 MAX.
WORKING VOLTAGE : AC 500V
WITHSTANDING VOLTAGE : AC 1000V
INSULATION RESISTANCE : 5000 MΩ MIN