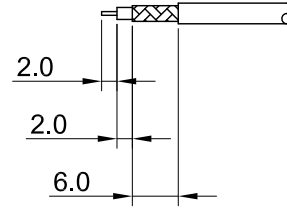
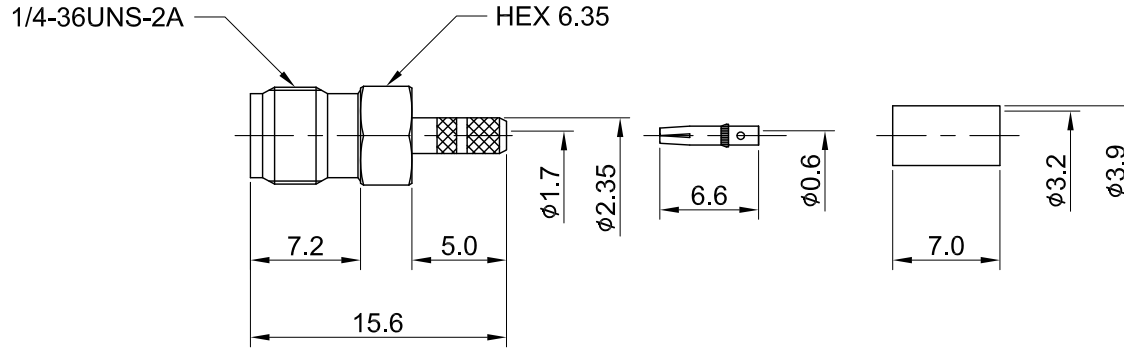


REV	DESCRIPTION	DATE
1.10	Chg $\phi 2.35/ 2.0 /6.0$ w. $\phi 2.3/ 2.3/ 6.5$	2021/12/24
1.20	NEW DRAWING FRAME	2023/12/26




RECOMMENDED STRIP LENGTHS



MECHANICAL DATA
 DURABILITY : 500 CYCLES
 TEMPERATURE RANGE : -65°C ~ + 165°C

ELECTRICAL DATA
 FREQUENCY RANGE: DC ~ 6GHz
 IMPEDANCE : 50Ω
 VSWR : 1.3 MAX.
 WORKING VOLTAGE : AC 375V
 WITHSTANDING VOLTAGE : AC 750V
 INSULATION RESISTANCE : 5000 MΩ MIN

04	FERRULE	BRASS	GOLD	1
03	INSULATOR	TEFLON	NONE	1
02	PIN	Be Cu	GOLD	1
01	BODY	BRASS	GOLD	1
NO	DESCRIPTION	MATERIAL	FINISH	Q'TY

TITLE SMA Straight Jack Crimp for RD316 Cable	
DWG NO. C02AA31316D12	
CUST. P/N: N/A DWG NO: N/A	GENERAL TOLERANCES .X ±0.2 .XX ±0.2 .XXX ±0.2 ANGLES N/A
SHEET 1 of 1 Unit: mm	DRAWN BY: Lottie 2023/12/26 CHK'D BY: Kelly 2023/12/26 REV. 1.20 DA2312180018