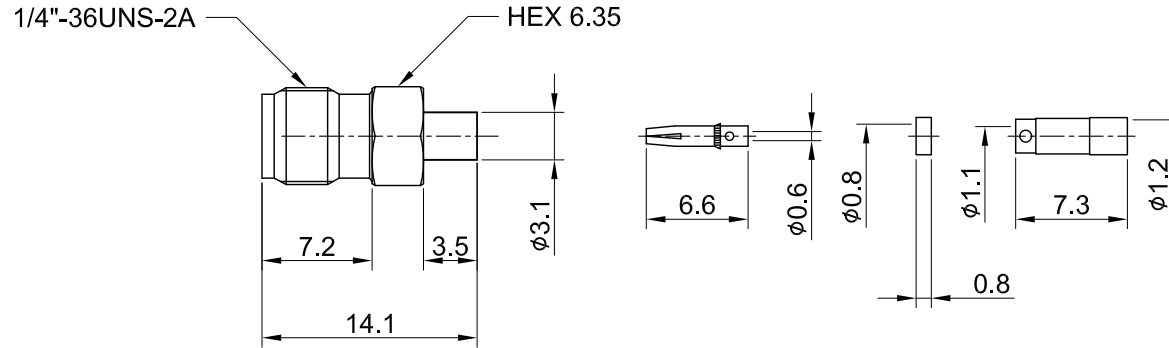
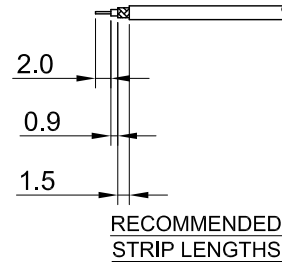


REV	DESCRIPTION	DATE
2.00	CHG SLEEVE FINISH NICKEL w. COPPER-TIN-ZINC	2011/09/08
2.10	NEW DRAWING FRAME	2023/12/20



MECHANICAL DATA
 DURABILITY : 500 CYCLES
 TEMPERATURE RANGE : -65°C ~ + 165°C

ELECTRICAL DATA
 FREQUENCY RANGE: DC ~ 6GHz
 IMPEDANCE : 50Ω
 VSWR : 1.3 MAX.
 WORKING VOLTAGE : AC 170V
 WITHSTANDING VOLTAGE : AC 500V
 INSULATION RESISTANCE : 5000 MΩ MIN

TITLE	
SMA Straight Jack Crimp for 1.13 Cable	

05	INSULATOR B	TEFLON	NONE	1
04	SLEEVE	BRASS	NICKEL	1
03	INSULATOR A	TEFLON	NONE	1
02	PIN	Be Cu	GOLD	1
01	BODY	BRASS	GOLD	1
NO	DESCRIPTION	MATERIAL	FINISH	Q'TY

DWG NO.	C02AA31113012C
CUST. P/N:	N/A
DWG NO:	N/A
SHEET	1 of 1
Unit:	mm

	GENERAL TOLERANCES	DRAWN BY: Lottie	2023/12/20
	.X ±0.2 .XX ±0.2 .XXX ±0.2 ANGLES N/A	CHK'D BY: Kelly	2023/12/20
		REV.	2.10
DA2312150034			