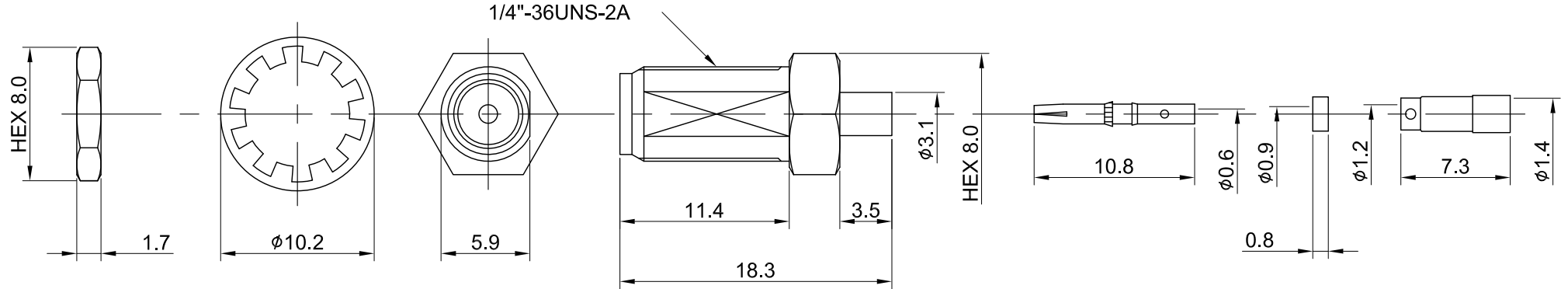
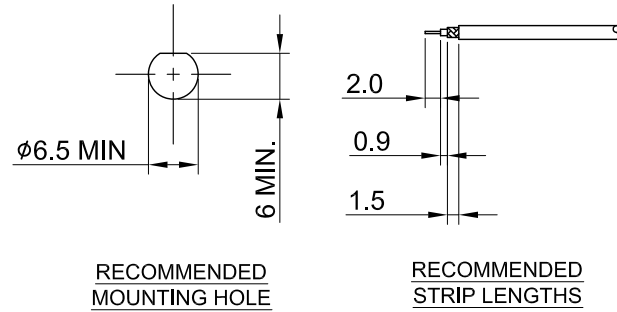


REV	DESCRIPTION	DATE
2.01	CHG DIM $\phi 3.1$ WAS $\phi 2.9$	2014/01/10
2.10	NEW DRAWING FRAME	2023/10/12



MECHANICAL DATA
 DURABILITY : 500 CYCLES
 TEMPERATURE RANGE : -65°C ~ + 165°C

ELECTRICAL DATA
 FREQUENCY RANGE: DC~6GHz
 IMPEDANCE : 50Ω
 VSWR : 1.3 MAX.
 WORKING VOLTAGE : AC 170V
 WITHSTANDING VOLTAGE : AC 500V
 INSULATION RESISTANCE : 5000 MΩ MIN

07	NUT	BRASS	GOLD	1
06	WASHER	BRASS	GOLD	1
05	SLEEVE	BRASS	NICKEL	1
04	INSULATOR B	TEFLON	NONE	1
03	CENTER PIN	Be.Cu	GOLD	1
02	INSULATOR A	TEFLON	NONE	1
01	BODY	BRASS	GOLD	1
NO	DESCRIPTION	MATERIAL	FINISH	Q'TY

TITLE		DRAWN BY: Kelly		2023/10/12
SMA st bh jack crimp type for 1.32mm		CHK'D BY: Eileen		2023/10/12
DWG NO. C02AB31132003		REV.		
CUST. P/N: N/A		C02AB31132003		2.10
DWG NO: N/A		SHEET 1 of 1		Unit: mm

GENERAL TOLERANCES
 .X ±0.2
 .XX ±0.2
 .XXX ±0.2
 ANGLES N/A