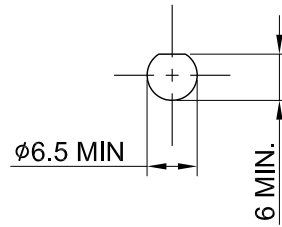
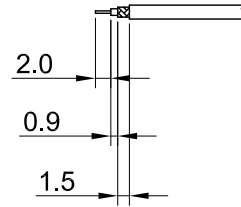


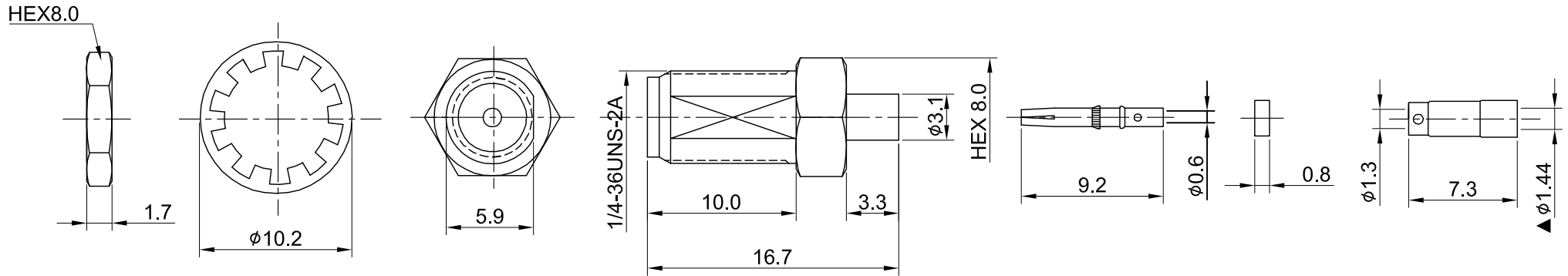
REV	DESCRIPTION	DATE
1.00	INITIAL DESIGN	2015/06/2
1.10	ADD TOLERANCES,CHG Ø1.42 w.Ø1.4	2019/06/2
1.20	CHG Ø1.44 W, Ø1.42	2023/12/2



RECOMMENDED MOUNTING HOLE



RECOMMENDED STRIP LENGTHS



MECHANICAL DATA
 DURABILITY : 500 CYCLES
 TEMPERATURE RANGE : -65°C ~ + 165°C

ELECTRICAL DATA
 FREQUENCY RANGE: DC~6GHZ
 IMPEDANCE : 50Ω
 VSWR : 1.3 MAX.
 WORKING VOLTAGE : AC 170V
 WITHSTANDING VOLTAGE : AC 500V
 INSULATION RESISTANCE : 5000 MΩ MIN

07	INSULATOR B	TEFLON	NONE	1
06	NUT	BRASS	GOLD	1
05	WASHER	BRASS	GOLD	1
04	SLEEVE	BRASS	NICKEL	1
03	CENTER PIN	Be.Cu	GOLD	1
02	INSULATOR A	TEFLON	NONE	1
01	BODY	BRASS	GOLD	1
NO	DESCRIPTION	MATERIAL	FINISH	Q'TY

TITLE	
SMA Straight bulkhead Jack Crimp for 1.37 Cable	
DWG NO.	C02AB31137003I
CUST. P/N:	N/A
DWG NO:	N/A
SHEET	1 of 1
Unit:	mm

GENERAL TOLERANCES	
.X	±0.2
.XX	±0.2
.XXX	±0.2
ANGLES	N/A

DRAWN BY:	
Kelly	2023/12/2
CHK'D BY:	
Eileen	2023/12/2
REV.	
DA2312220024	1.20

