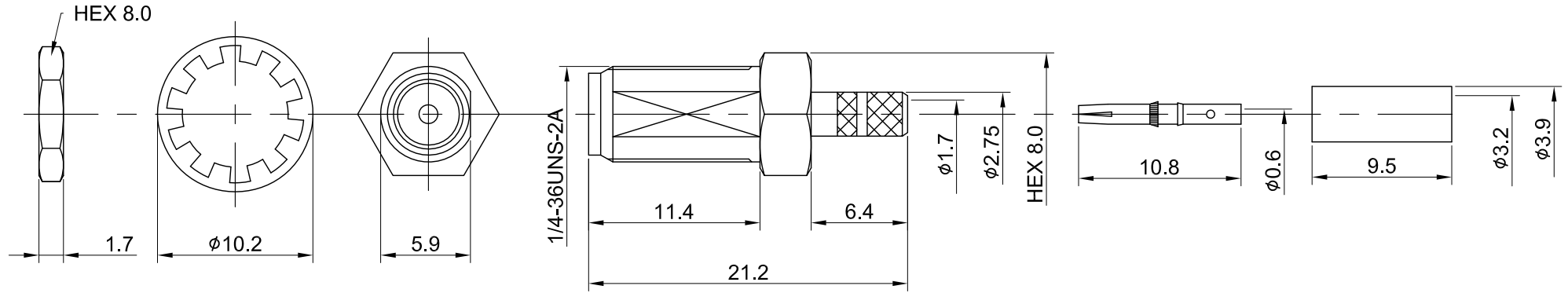
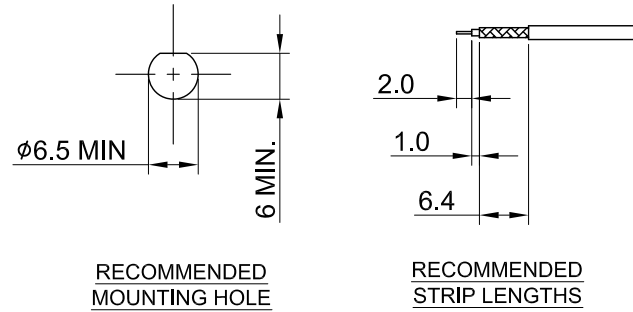


REV	DESCRIPTION	DATE
1.20	NEW DRAWING FRAME	2023/08/30
1.21	CORRECT INSULATION RESISTANCE UNIT	2023/12/26



MECHANICAL DATA
 DURABILITY : 500 CYCLES
 TEMPERATURE RANGE : -65°C ~ + 165°C

ELECTRICAL DATA
 FREQUENCY RANGE: DC~6GHz
 IMPEDANCE : 50Ω
 VSWR : 1.3 MAX.
 WORKING VOLTAGE : AC 375V
 WITHSTANDING VOLTAGE : AC 750V
 INSULATION RESISTANCE : 5000 MΩ MIN

06	NUT	BRASS	GOLD	1
05	WASHER	BRASS	GOLD	1
04	FERRULE	BRASS	GOLD	1
03	PIN	Be.Cu	GOLD	1
02	INSULATOR	TEFLON	NONE	1
01	BODY	BRASS	GOLD	1
NO	DESCRIPTION	MATERIAL	FINISH	Q'TY

TITLE		DRAWN BY:		CHK'D BY:		REV.	
SMA st bh jack crimp type for RG174		Kelly		Eileen		1.21	
DWG NO. C02AB31174003C		2023/12/26		2023/12/26		DA2312250003	
CUST. P/N: N/A DWG NO: N/A		GENERAL TOLERANCES .X ±0.2 .XX ±0.2 .XXX ±0.2 ANGLES N/A		DRAWN BY: Kelly CHK'D BY: Eileen		REV. 1.21	
SHEET	1 of 1	Unit: mm					

