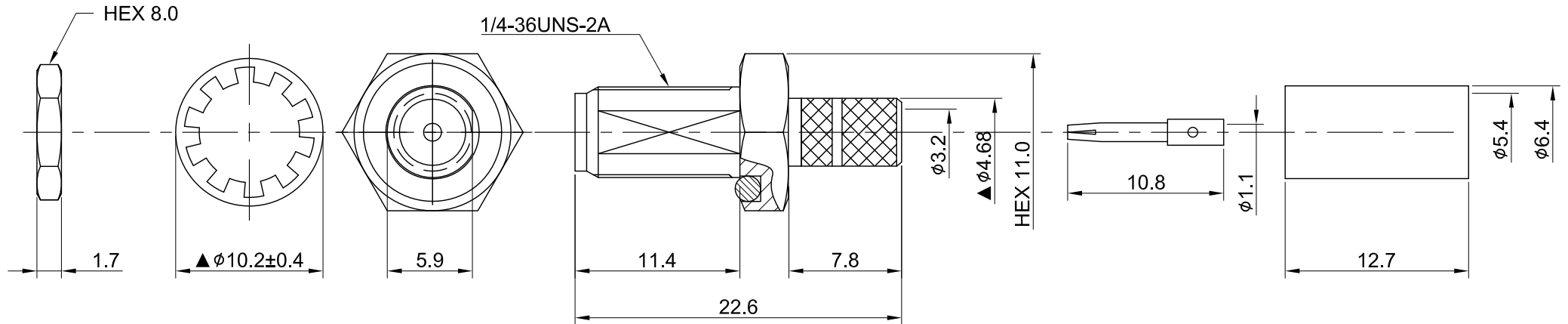
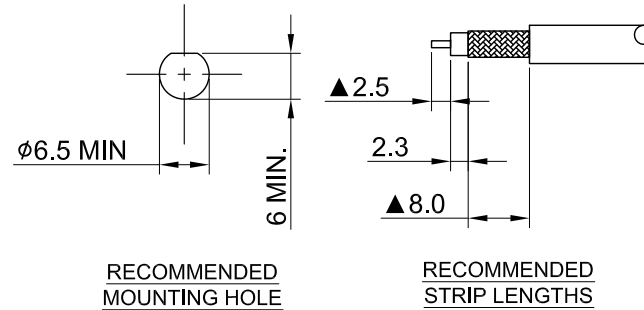


REV	DESCRIPTION	DATE
1.00	INITIAL DESIGN	2012/02/21
1.10	CHG DIM 2.5/8.0/φ4.68 W. 2.3/6.5/φ4.6	2024/01/19



MECHANICAL DATA  
 DURABILITY : 500 CYCLES  
 TEMPERATURE RANGE : -65°C ~ + 165°C

ELECTRICAL DATA  
 FREQUENCY RANGE: DC ~6GHz  
 IMPEDANCE : 50Ω  
 VSWR : 1.3 MAX.  
 WORKING VOLTAGE : AC 500V  
 WITHSTANDING VOLTAGE : AC 1000V  
 INSULATION RESISTANCE : 5000 MΩ MIN

07	O RING	SILICONE RUBBER	RED	1
06	WASHER	BRASS	GOLD	1
05	NUT	BRASS	GOLD	1
04	FERRULE	BRASS	GOLD	1
03	INSULATOR	TEFLON	NONE	1
02	PIN	Be Cu	GOLD	1
01	BODY	BRASS	GOLD	1
NO	DESCRIPTION	MATERIAL	FINISH	Q'TY

TITLE		DRAWN BY:	
SMA Straight bulkhead Jack with O-ring Crimp for RG58 Cable		Lottie	2024/01/19
DWG NO. C02AD31058A05A		CHK'D BY: Una	2024/01/19
CUST. P/N: N/A DWG NO: N/A		REV.	1.10
SHEET 1 of 1	Unit: mm	DA2401020020	

Wellshow

GENERAL TOLERANCES: .X ±0.2, .XX ±0.2, .XXX ±0.2, ANGLES N/A

DRAWN BY: Lottie 2024/01/19  
 CHK'D BY: Una 2024/01/19  
 REV: 1.10

DA2401020020