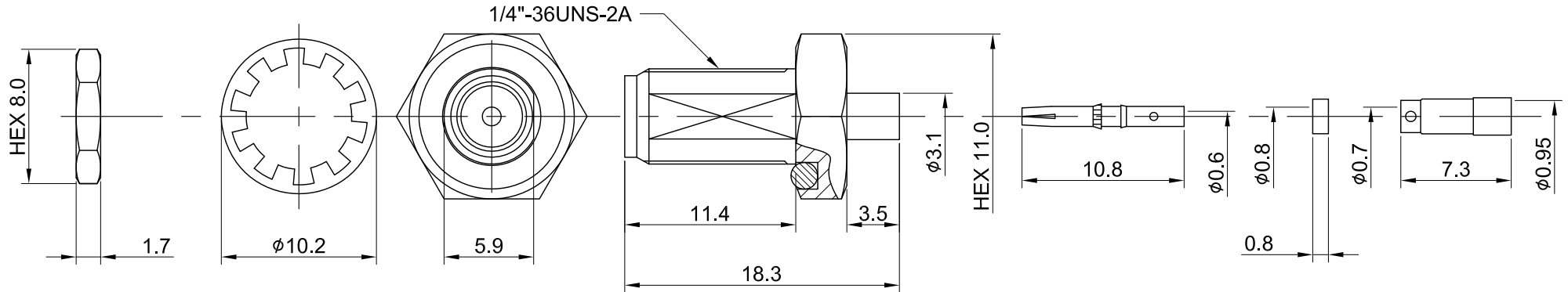
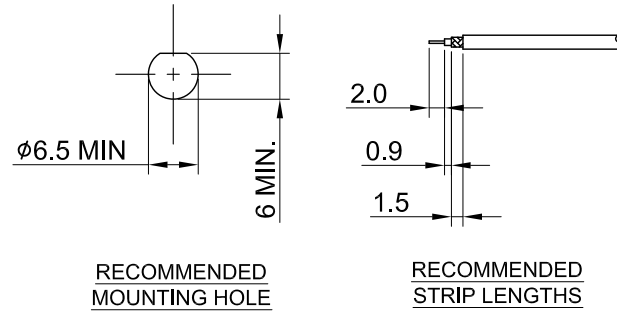


REV	DESCRIPTION	DATE
2.00	CHG SLEEVE FINISH NICKEL W. ZINC	2012/05/30
2.10	NEW DRAWING FRAME	2023/10/18



MECHANICAL DATA
 DURABILITY : 500 CYCLES
 TEMPERATURE RANGE : -65°C ~ + 165°C

ELECTRICAL DATA
 FREQUENCY RANGE: DC~6GHZ
 IMPEDANCE : 50Ω
 VSWR : 1.3 MAX.
 WORKING VOLTAGE : AC 170V
 WITHSTANDING VOLTAGE : AC 500V
 INSULATION RESISTANCE : 5000 MΩ MIN

08	INSULATOR B	TEFLON	NONE	1	TITLE SMA(F) bh. w. Oring for 0.81			
07	O RING	SILICONE RUBBER	RED	1				
06	NUT	BRASS	GOLD	1				
05	WASHER	BRASS	GOLD	1	DWG NO. C02AD31081005			
04	SLEEVE	BRASS	NICKEL	1				
03	CENTER PIN	Be.Cu	GOLD	1	CUST. P/N: N/A DWG NO: N/A	GENERAL TOLERANCES .X ±0.2 .XX ±0.2 .XXX ±0.2 ANGLES N/A	DRAWN BY: Kelly 2023/10/18	
02	INSULATOR A	TEFLON	NONE	1			CHK'D BY: Maria 2023/10/18	
01	BODY	BRASS	GOLD	1				REV.
NO	DESCRIPTION	MATERIAL	FINISH	Q'TY	SHEET 1 of 1	Unit: mm	DA2310180011	2.10

