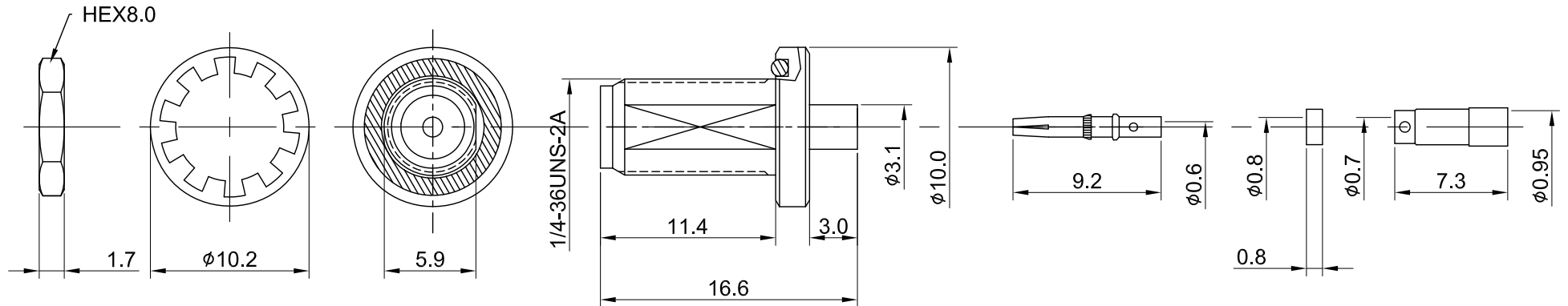
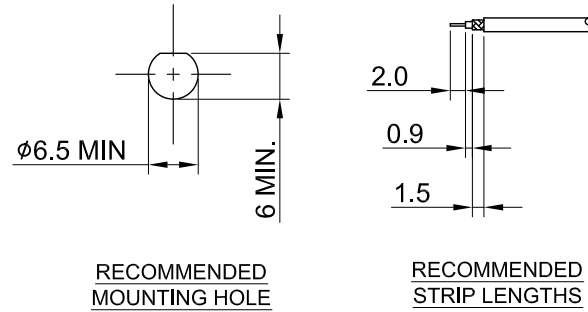


REV	DESCRIPTION	DATE
1.10	CHG ORING EPDM W. SILICONE RUBBER	2022/12/21
1.20	NEW DRAWING FRAME	2023/12/27



MECHANICAL DATA
 DURABILITY : 500 CYCLES
 TEMPERATURE RANGE : -65°C ~ + 165°C

ELECTRICAL DATA
 FREQUENCY RANGE: DC~6GHz
 IMPEDANCE : 50Ω
 VSWR : 1.3 MAX.
 WORKING VOLTAGE : AC 500V
 WITHSTANDING VOLTAGE : AC 1000V
 INSULATION RESISTANCE : 5000 MΩ MIN

08	SLEEVE	BRASS	NICKEL	1	TITLE SMA(F) bh. wOring for 0.81, Round Panel OD10, T2.2			
07	INSULATOR B	TEFLON	NONE	1				
06	NUT	BRASS	GOLD	1				
05	WASHER	BRASS	GOLD	1	DWG NO. C02AD31081005Z			
04	O RING	EPDM	BLACK	1				
03	CENTER PIN	Be.Cu	GOLD	1	CUST. P/N: N/A DWG NO: N/A	 GENERAL TOLERANCES .X ±0.2 .XX ±0.2 .XXX ±0.2 ANGLES N/A		
02	INSULATOR A	TEFLON	NONE	1			DRAWN BY: Kelly 2023/12/27	
01	BODY	BRASS	GOLD	1			CHK'D BY: Chilli 2023/12/27	
NO	DESCRIPTION	MATERIAL	FINISH	Q'TY	SHEET 1 of 1	Unit: mm	 DA2312250016	REV. 1.20