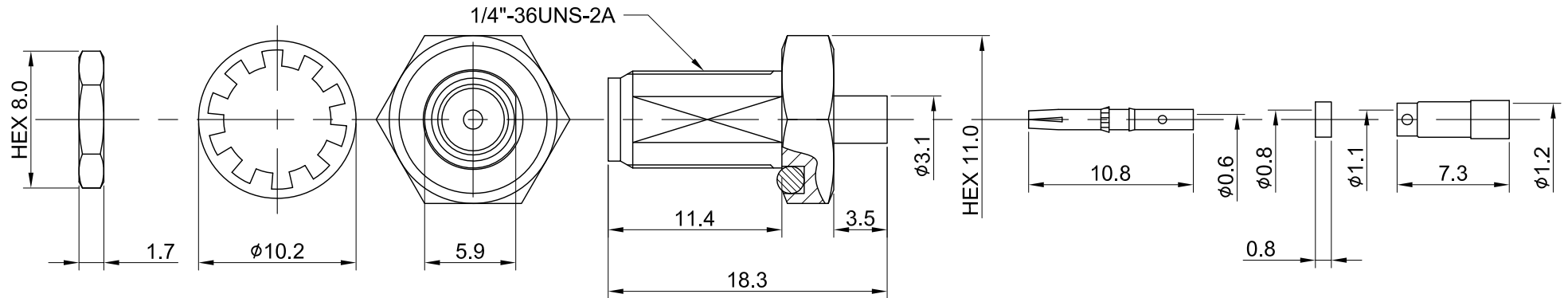
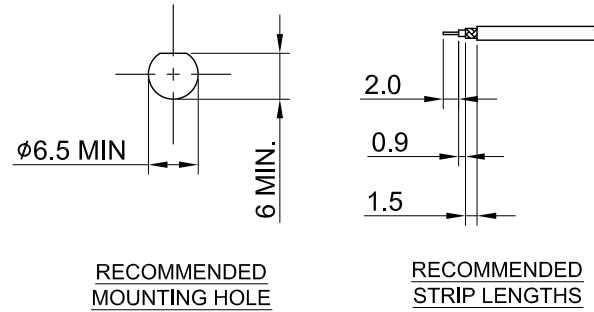


REV	DESCRIPTION	DATE
2.10	NEW DRAWING FRAME	2023/08/22
2.20	CORRECT INSULATION RESISTANCE UNIT	2023/11/13



MECHANICAL DATA  
 DURABILITY : 500 CYCLES  
 TEMPERATURE RANGE : -65°C ~ + 165°C

ELECTRICAL DATA  
 FREQUENCY RANGE: DC~6GHz  
 IMPEDANCE : 50Ω  
 VSWR : 1.3 MAX.  
 WORKING VOLTAGE : AC 170V  
 WITHSTANDING VOLTAGE : AC 500V  
 INSULATION RESISTANCE : 5000 MΩ MIN

08	INSULATOR B	TEFLON	NONE	1
07	O RING	SILICONE RUBBER	RED	1
06	NUT	BRASS	GOLD	1
05	WASHER	BRASS	GOLD	1
04	SLEEVE	BRASS	GOLD	1
03	INSULATOR A	TEFLON	NONE	1
02	PIN	Be.Cu	GOLD	1
01	BODY	BRASS	GOLD	1
NO	DESCRIPTION	MATERIAL	FINISH	Q'TY

TITLE		DRAWN BY: Kelly		2023/11/13
SMA(F) bulk O-RING FOR1.13		CHK'D BY: Eileen		2023/11/13
DWG NO. C02AD31113005		REV.		2.20
CUST. P/N: N/A DWG NO: N/A		DA2311130023		
SHEET 1 of 1		Unit: mm		



GENERAL TOLERANCES	
.X	±0.2
.XX	±0.2
.XXX	±0.2
ANGLES	N/A