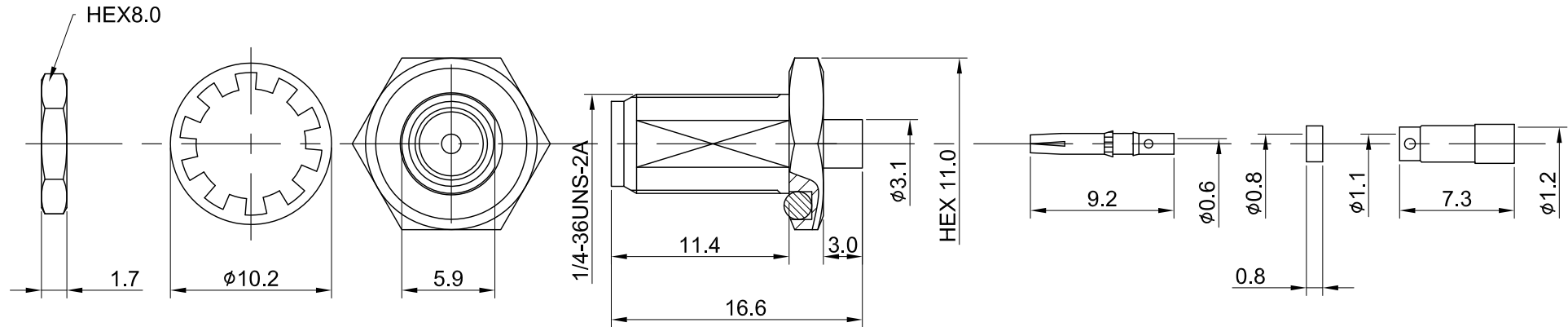
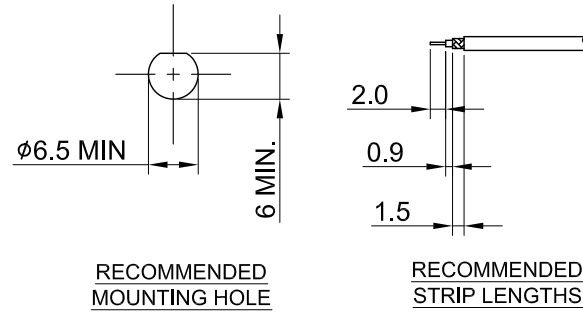


REV	DESCRIPTION	DATE
2.00	CHG SLEEVE FINISH NICKEL W. ZINC	2012/05/31
2.10	NEW DRAWING FRAME	2023/12/27



MECHANICAL DATA
 DURABILITY : 500 CYCLES
 TEMPERATURE RANGE : -65°C ~ + 165°C

ELECTRICAL DATA
 FREQUENCY RANGE: DC~6GHz
 IMPEDANCE : 50Ω
 VSWR : 1.3 MAX.
 WORKING VOLTAGE : AC 170V
 WITHSTANDING VOLTAGE : AC 500V
 INSULATION RESISTANCE : 5000 MΩ MIN

08	SLEEVE	BRASS	NICKEL	1	TITLE SMA(F) bh., w/Oring, 2.2T crimp for 1.13	
07	INSULATOR B	TEFLON	NONE	1		
06	NUT	BRASS	GOLD	1		
05	WASHER	BRASS	GOLD	1	DWG NO. C02AD31113005B	
04	O RING	SILICONE RUBBER	RED	1		
03	CENTER PIN	Be.Cu	GOLD	1	CUST. P/N: N/A DWG NO: N/A	
02	INSULATOR A	TEFLON	NONE	1		
01	BODY	BRASS	GOLD	1		
NO	DESCRIPTION	MATERIAL	FINISH	Q'TY	SHEET 1 of 1	Unit: mm



GENERAL TOLERANCES		DRAWN BY: Kelly 2023/12/27	
.X	±0.2	CHK'D BY: Chili	2023/12/27
.XX	±0.2		
.XXX	±0.2		
ANGLES	N/A	DA2312250019	REV. 2.10