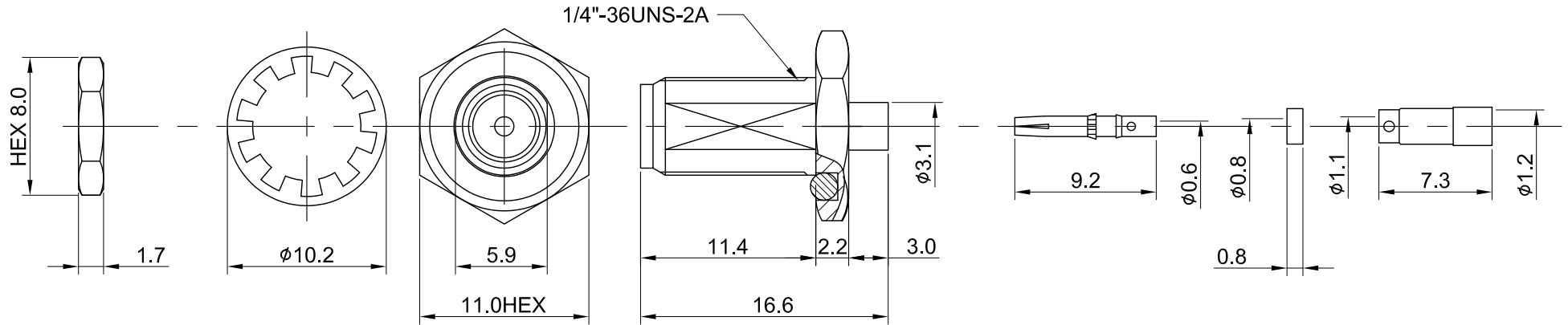
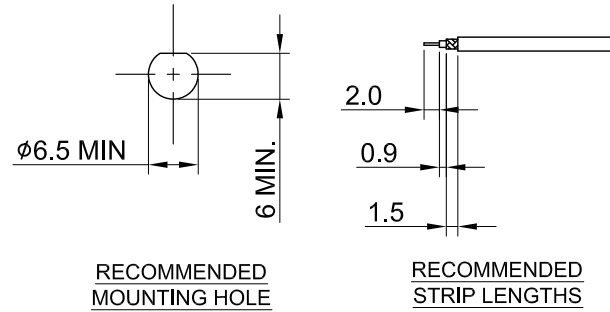


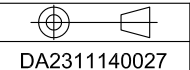
REV	DESCRIPTION	DATE
1.00	INITIAL DESIGN	2021/05/10
1.10	NEW DRAWING FRAME	2023/11/14



MECHANICAL DATA  
 DURABILITY : 500 CYCLES  
 TEMPERATURE RANGE : -65°C ~ + 165°C

ELECTRICAL DATA  
 FREQUENCY RANGE: DC~6GHz  
 IMPEDANCE : 50Ω  
 VSWR : 1.3 MAX.  
 WORKING VOLTAGE : AC 170V  
 WITHSTANDING VOLTAGE : AC 500V  
 INSULATION RESISTANCE : 5000 MΩ MIN

08	INSULATOR B	TEFLON	NONE	1	TITLE SMA(F) bh. w/Oring crimp for 1.13, 2.2T (平對平)				
07	O RING	SILICONE RUBBER	RED	1					
06	NUT	BRASS	GOLD	1	DWG NO. C02AD31113005B-1				
05	WASHER	BRASS	GOLD	1					
04	SLEEVE	BRASS	NICKEL	1	CUST. P/N: N/A DWG NO: N/A				
03	CENTER PIN	Be.Cu	GOLD	1					
02	INSULATOR A	TEFLON	NONE	1	GENERAL TOLERANCES .X ±0.2 .XX ±0.2 .XXX ±0.2 ANGLES N/A				
01	BODY	BRASS	GOLD	1					
NO	DESCRIPTION	MATERIAL	FINISH	Q'TY	SHEET 1 of 1	Unit: mm	DRAWN BY: Kelly 2023/11/14	CHK'D BY: Maria 2023/11/14	REV. 1.10



DA2311140027