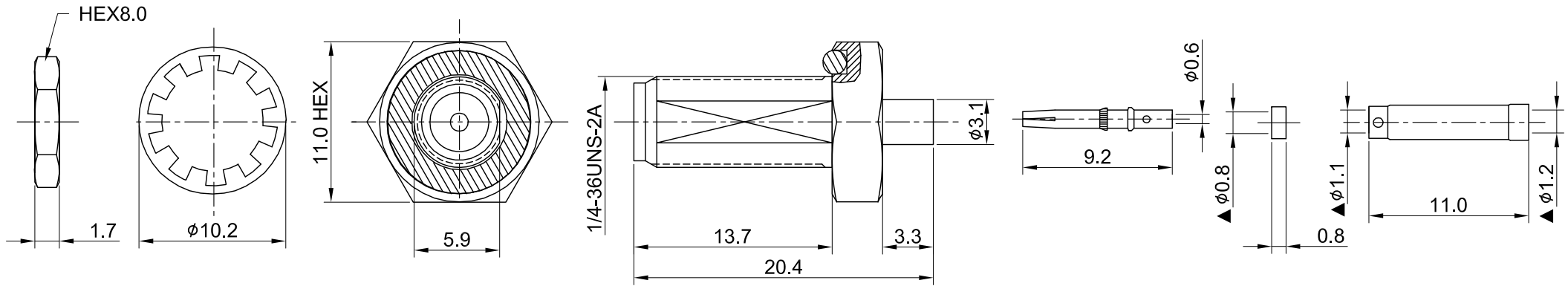
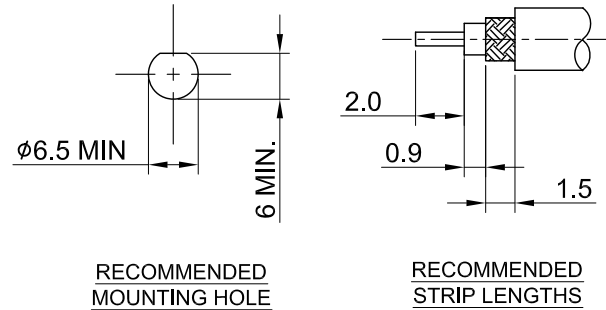


REV	DESCRIPTION	DATE
1.01	ADD ORING COLOR	2020/11/17
1.10	ADD DIM $\phi 0.8/\phi 1.1/\phi 1.2$	2023/12/27



MECHANICAL DATA
 DURABILITY : 500 CYCLES
 TEMPERATURE RANGE : -65°C ~ + 165°C

ELECTRICAL DATA
 FREQUENCY RANGE: DC~6GHz
 IMPEDANCE : 50Ω
 VSWR : 1.3 MAX.
 WORKING VOLTAGE : AC 170V
 WITHSTANDING VOLTAGE : AC 500V
 INSULATION RESISTANCE : 5000 MΩ MIN

08	SLEEVE	BRASS	NICKEL	1	TITLE SMA(F) bh. wOring for 1.13 cable, 13.7mm thread length																
07	INSULATOR A	TEFLON	NONE	1																	
06	NUT	BRASS	GOLD	1	DWG NO. C02AD31113005I																
05	WASHER	BRASS	GOLD	1																	
04	O RING	SILICONE RUBBER	RED	1	CUST. P/N: N/A DWG NO: N/A																
03	CENTER PIN	Be.Cu	GOLD	1																	
02	INSULATOR A	TEFLON	NONE	1	<table border="0"> <tr> <td>GENERAL TOLERANCES</td> <td>DRAWN BY: Kelly</td> <td>2023/12/27</td> </tr> <tr> <td>.X ±0.2</td> <td>CHK'D BY: Chili</td> <td>2023/12/27</td> </tr> <tr> <td>.XX ±0.2</td> <td></td> <td></td> </tr> <tr> <td>.XXX ±0.2</td> <td></td> <td></td> </tr> <tr> <td>ANGLES N/A</td> <td></td> <td></td> </tr> </table>		GENERAL TOLERANCES	DRAWN BY: Kelly	2023/12/27	.X ±0.2	CHK'D BY: Chili	2023/12/27	.XX ±0.2			.XXX ±0.2			ANGLES N/A		
GENERAL TOLERANCES	DRAWN BY: Kelly	2023/12/27																			
.X ±0.2	CHK'D BY: Chili	2023/12/27																			
.XX ±0.2																					
.XXX ±0.2																					
ANGLES N/A																					
01	BODY	BRASS	GOLD	1	<table border="0"> <tr> <td>REV.</td> </tr> <tr> <td>DA2312250021</td> </tr> </table>		REV.	DA2312250021													
REV.																					
DA2312250021																					
NO	DESCRIPTION	MATERIAL	FINISH	Q'TY	SHEET 1 of 1	Unit: mm															



GENERAL TOLERANCES	DRAWN BY: Kelly	2023/12/27
.X ±0.2	CHK'D BY: Chili	2023/12/27
.XX ±0.2		
.XXX ±0.2		
ANGLES N/A		