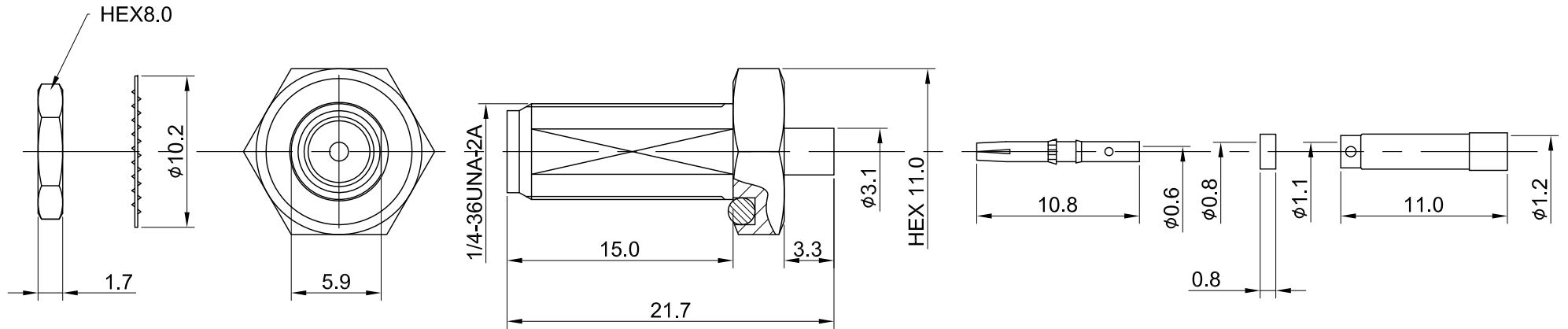
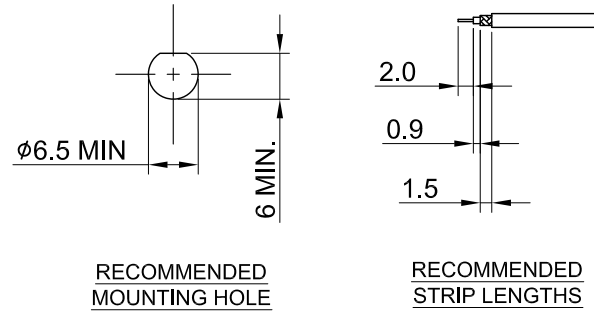


REV	DESCRIPTION	DATE
2.10	REMOVE SLEEVE SIZE 1.3	2019/01/21
2.20	NEW DRAWING FRAME	2023/06/19
2.21	CORRECT INSULATION RESISTANCE UNIT	2023/12/27



MECHANICAL DATA  
 DURABILITY : 500 CYCLES  
 TEMPERATURE RANGE : -65°C ~ + 165°C

DIELECTRICAL DATA  
 FREQUENCY RANGE: DC~6GHz  
 IMPEDANCE : 50Ω  
 VSWR : 1.3 MAX.  
 WORKING VOLTAGE : AC 170V  
 WITHSTANDING VOLTAGE : AC 500V  
 INSULATION RESISTANCE : 5000 MΩ MIN

08	INSULATOR B	TEFLON	NONE	1	TITLE SMA(F) bh. w/Oring crimp for 1.13
07	O-RING	SILICONE RUBBER	RED	1	
06	WASHER	BRASS	GOLD	1	
05	NUT	BRASS	GOLD	1	DWG NO. C02AD31113005N
04	SLEEVE	BRASS	NICKEL	1	
03	PIN	Be.Cu	GOLD	1	CUST. P/N: N/A DWG NO: N/A
02	INSULATOR A	TEFLON	NONE	1	
01	BODY	BRASS	GOLD	1	SHEET 1 of 1 Unit: mm
NO	DESCRIPTION	MATERIAL	FINISH	Q'TY	



GENERAL TOLERANCES

.X ±0.2  
.XX ±0.2  
.XXX ±0.2  
ANGLES N/A

DRAWN BY: Kelly 2023/12/27

CHK'D BY: Chili 2023/12/27

REV. 2.21