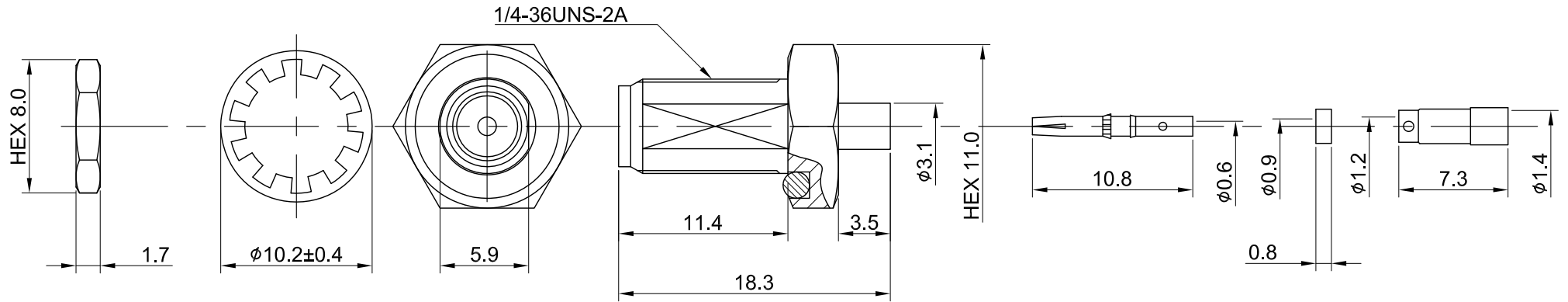
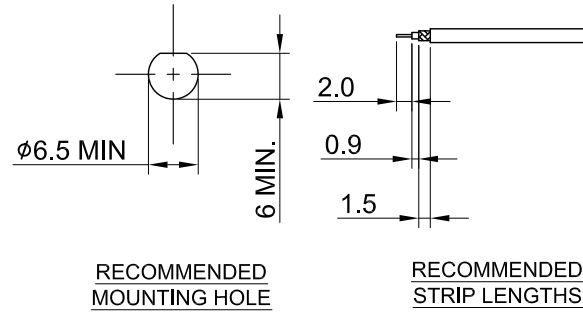


REV	DESCRIPTION	DATE
2.02	Corrected full material name is silicone rubber	2020/12/18
2.10	NEW DRAWING FRAME	2024/01/08



MECHANICAL DATA
 DURABILITY : 500 CYCLES
 TEMPERATURE RANGE : -65°C ~ + 165°C

ELECTRICAL DATA
 FREQUENCY RANGE: DC ~ 6GHz
 IMPEDANCE : 50Ω
 VSWR : 1.3 MAX.
 WORKING VOLTAGE : AC 170V
 WITHSTANDING VOLTAGE : AC 500V
 INSULATION RESISTANCE : 5000 MΩ MIN

08	INSULATOR B	TEFLON	NONE	1	TITLE SMA Straight bulkhead Jack with O-ring Crimp for 1.32 Cable																	
07	O RING	SILICONE RUBBER	RED	1																		
06	WASHER	BRASS	GOLD	1	DWG NO. C02AD31132005																	
05	NUT	BRASS	GOLD	1																		
04	SLEEVE	BRASS	NICKEL	1	CUST. P/N: N/A DWG NO: N/A																	
03	INSULATOR A	TEFLON	NONE	1																		
02	PIN	Be Cu	GOLD	1	<table border="1"> <thead> <tr> <th colspan="2">GENERAL TOLERANCES</th> <th colspan="2">DRAWN BY: Lottie 2024/01/08</th> </tr> </thead> <tbody> <tr> <td>.X</td> <td>±0.2</td> <td colspan="2" rowspan="2">CHK'D BY: Kelly 2024/01/08</td> </tr> <tr> <td>.XX</td> <td>±0.2</td> </tr> <tr> <td>.XXX</td> <td>±0.2</td> <td rowspan="2"> </td> <td rowspan="2">REV. 2.10</td> </tr> <tr> <td>ANGLES</td> <td>N/A</td> </tr> </tbody> </table>		GENERAL TOLERANCES		DRAWN BY: Lottie 2024/01/08		.X	±0.2	CHK'D BY: Kelly 2024/01/08		.XX	±0.2	.XXX	±0.2		REV. 2.10	ANGLES	N/A
GENERAL TOLERANCES		DRAWN BY: Lottie 2024/01/08																				
.X	±0.2	CHK'D BY: Kelly 2024/01/08																				
.XX	±0.2																					
.XXX	±0.2		REV. 2.10																			
ANGLES	N/A																					
01	BODY	BRASS	GOLD	1	<table border="1"> <thead> <tr> <th>SHEET</th> <th>1 of 1</th> <th>Unit: mm</th> </tr> </thead> <tbody> <tr> <td colspan="3">DA2312220005</td> </tr> </tbody> </table>		SHEET	1 of 1	Unit: mm	DA2312220005												
SHEET	1 of 1	Unit: mm																				
DA2312220005																						
NO	DESCRIPTION	MATERIAL	FINISH	Q'TY																		