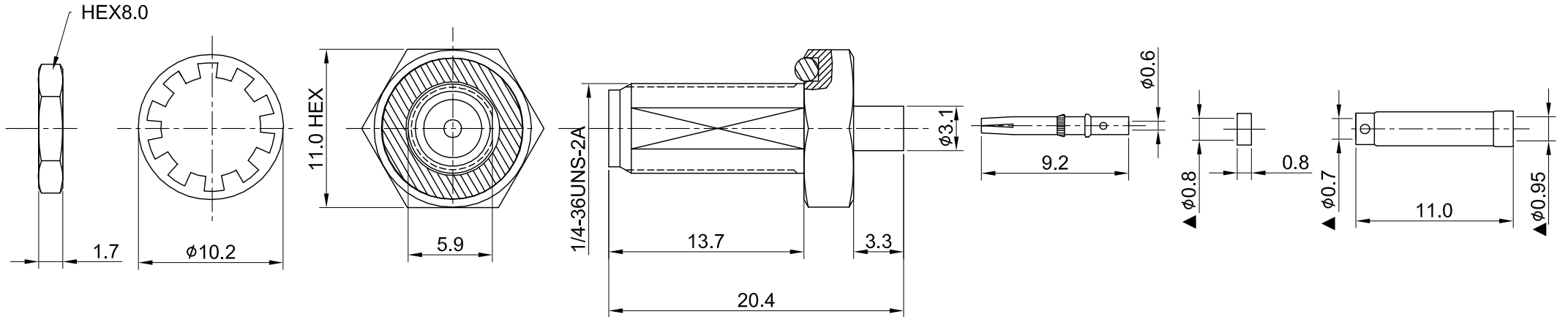
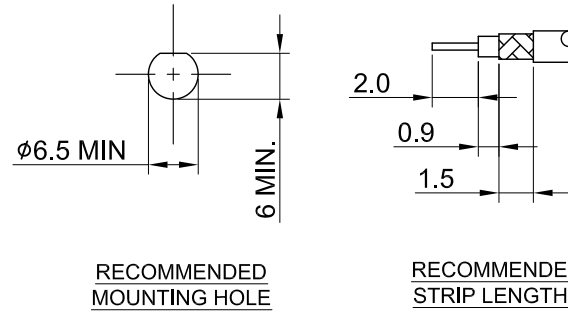


REV	DESCRIPTION	DATE
1.00	INITIAL DESIGN	2021/01/14
1.10	ADD DIM $\phi 0.8/\phi 0.7/\phi 0.95$	2023/12/27



MECHANICAL DATA
 DURABILITY : 500 CYCLES
 TEMPERATURE RANGE : -65°C ~ + 165°C

ELECTRICAL DATA
 FREQUENCY RANGE: DC~6GHZ
 IMPEDANCE : 50 Ω
 VSWR : 1.3 MAX.
 WORKING VOLTAGE : AC 170V
 WITHSTANDING VOLTAGE : AC 500V
 INSULATION RESISTANCE : 5000 M Ω MIN

08	INSULATOR B	TEFLON	NONE	1	TITLE SMA(F) bh. w/Oring crimp for 0.81, 13.7mm thread length
07	SLEEVE	BRASS	NICKEL	1	
06	NUT	BRASS	GOLD	1	DWG NO. C02AD31081005I
05	WASHER	BRASS	GOLD	1	
04	O RING	SILICONE RUBBER	RED	1	CUST. P/N: N/A DWG NO: N/A
03	CENTER PIN	Be.Cu	GOLD	1	
02	INSULATOR A	TEFLON	NONE	1	SHEET 1 of 1 Unit: mm
01	BODY	BRASS	GOLD	1	
NO	DESCRIPTION	MATERIAL	FINISH	Q'TY	



GENERAL TOLERANCES
 .X ± 0.2
 .XX ± 0.2
 .XXX ± 0.2
 ANGLES N/A

DRAWN BY: Kelly 2023/12/27

CHK'D BY: Chili 2023/12/27

REV. 1.10



DA2312250015