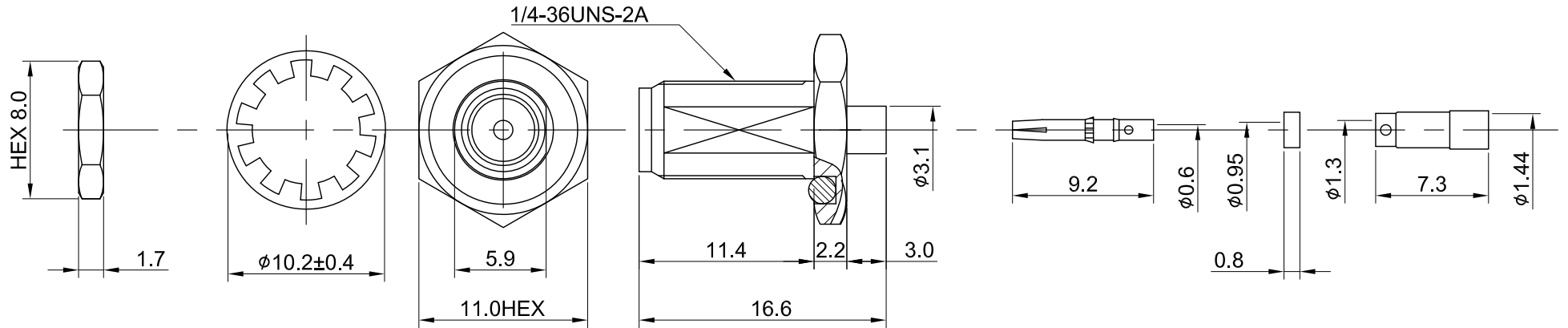
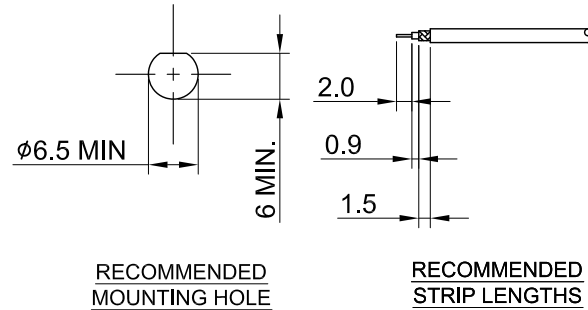


REV	DESCRIPTION	DATE
1.00	INITIAL DESIGN	2021/02/18
1.10	NEW DRAWING FRAME	2024/01/09



MECHANICAL DATA
 DURABILITY : 500 CYCLES
 TEMPERATURE RANGE : -65°C ~ + 165°C

ELECTRICAL DATA
 FREQUENCY RANGE: DC ~ 6GHz
 IMPEDANCE : 50Ω
 VSWR : 1.3 MAX.
 WORKING VOLTAGE : AC 170V
 WITHSTANDING VOLTAGE : AC 500V
 INSULATION RESISTANCE : 5000 MΩ MIN

08	INSULATOR B	TEFLON	NONE	1	TITLE SMA(F) bh. w/Oring crimp for 1.37, 2.2T (FLAT-TO-FLAT)				
07	O RING	SILICONE RUBBER	RED	1					
06	WASHER	BRASS	GOLD	1	DWG NO. C02AD31137005B-1				
05	NUT	BRASS	GOLD	1					
04	SLEEVE	BRASS	NICKEL	1	CUST. P/N: N/A DWG NO: N/A				
03	INSULATOR A	TEFLON	NONE	1					
02	PIN	Be Cu	GOLD	1	GENERAL TOLERANCES .X ±0.2 .XX ±0.2 .XXX ±0.2 ANGLES N/A				
01	BODY	BRASS	GOLD	1					
NO	DESCRIPTION	MATERIAL	FINISH	Q'TY	SHEET 1 of 1	Unit: mm	DRAWN BY: Lottie 2024/01/09	CHK'D BY: Kelly 2024/01/09	REV. 1.10



DA2312250035