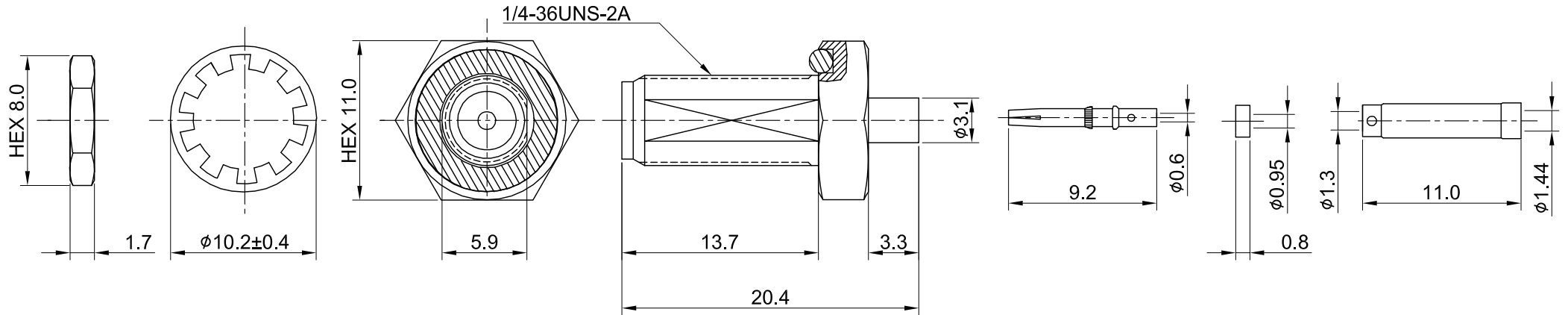
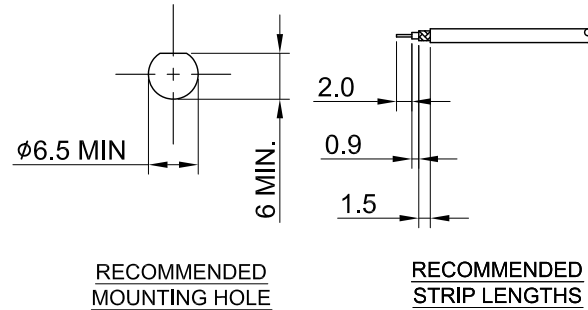


REV	DESCRIPTION	DATE
1.01	Corrected full material name silicon rubber	2021/08/03
1.10	NEW DRAWING FRAME	2024/01/11



MECHANICAL DATA  
 DURABILITY : 500 CYCLES  
 TEMPERATURE RANGE : -65°C ~ + 165°C

ELECTRICAL DATA  
 FREQUENCY RANGE: DC ~ 6GHz  
 IMPEDANCE : 50Ω  
 VSWR : 1.3 MAX.  
 WORKING VOLTAGE : AC 170V  
 WITHSTANDING VOLTAGE : AC 500V  
 INSULATION RESISTANCE : 5000 MΩ MIN

08	INSULATOR B	TEFLON	NONE	1	TITLE SMA Straight bulkhead Jack with O-ring Crimp For 1.37 Cable	
07	O RING	SILICONE RUBBER	RED	1		
06	WASHER	BRASS	GOLD	1	DWG NO. C02AD31137005I	
05	NUT	BRASS	GOLD	1		
04	SLEEVE	BRASS	NICKEL	1	CUST. P/N: N/A DWG NO: N/A	
03	INSULATOR A	TEFLON	NONE	1		
02	PIN	Be Cu	GOLD	1	GENERAL TOLERANCES .X ±0.2 .XX ±0.2 .XXX ±0.2 ANGLES N/A	
01	BODY	BRASS	GOLD	1		
NO	DESCRIPTION	MATERIAL	FINISH	Q'TY	SHEET 1 of 1	Unit: mm
					DRAWN BY: Lottie 2024/01/11 CHK'D BY: Kelly 2024/01/11  REV. 1.10 DA2312250036	

