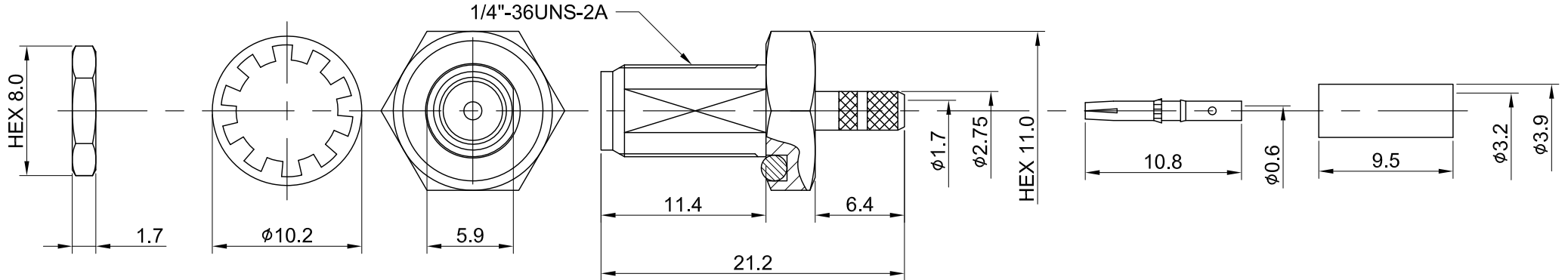
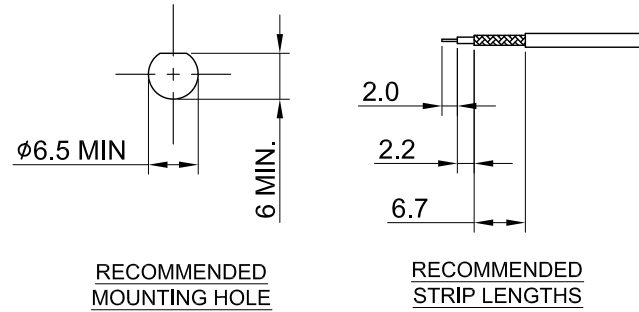


REV	DESCRIPTION	DATE
1.40	CHG 2.2/ 6.7 W. 2.3/ 6.5	2023/08/30
1.41	CORRECT INSULATION RESISTANCE UNIT	2024/01/08



MECHANICAL DATA
 DURABILITY : 500 CYCLES
 TEMPERATURE RANGE : -65°C ~ + 165°C

ELECTRICAL DATA
 FREQUENCY RANGE: DC~6GHz
 IMPEDANCE : 50Ω
 VSWR : 1.3 MAX.
 WORKING VOLTAGE : AC 375V
 WITHSTANDING VOLTAGE : AC 750V
 INSULATION RESISTANCE : 5000 MΩ MIN

07	O RING	SILICONE RUBBER	RED	1
06	NUT	BRASS	GOLD	1
05	WASHER	BRASS	GOLD	1
04	FERRULE	BRASS	GOLD	1
03	INSULATOR	TEFLON	NONE	1
02	PIN	Be.Cu	GOLD	1
01	BODY	BRASS	GOLD	1
NO	DESCRIPTION	MATERIAL	FINISH	Q'TY

TITLE		DRAWN BY: Kelly		2024/01/08
SMA(F) bh. w/Oring crimp for RG174, 11.4mm thread		CHK'D BY: David		2024/01/08
DWG NO. C02AD31174005A		REVISION		REV. 1.41
CUST. P/N: N/A DWG NO: N/A		DA2401020025		
SHEET 1 of 1		Unit: mm		

GENERAL TOLERANCES:
 .X ±0.2
 .XX ±0.2
 .XXX ±0.2
 ANGLES N/A