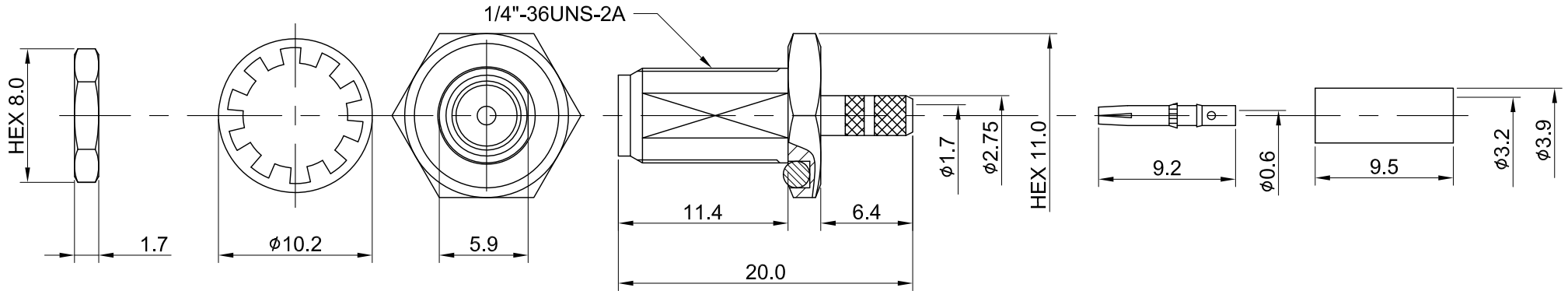
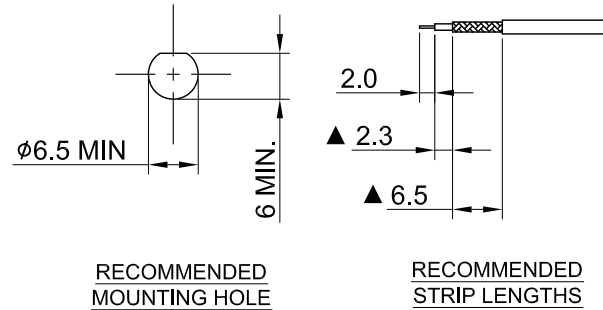


REV	DESCRIPTION	DATE
1.01	ADD ORING COLOR, CORRECT FULL MATERIAL NAME SILICONE RUBBER	2021/03/15
1.10	CHG 2.3/ 6.5 W. 2.5/ 6.7	2023/11/07



MECHANICAL DATA
 DURABILITY : 500 CYCLES
 TEMPERATURE RANGE : -65°C ~ + 165°C

ELECTRICAL DATA
 FREQUENCY RANGE: DC~6GHz
 IMPEDANCE : 50Ω
 VSWR : 1.3 MAX.
 WORKING VOLTAGE : AC 375V
 WITHSTANDING VOLTAGE : AC 750V
 INSULATION RESISTANCE : 5000 MΩ MIN

07	O RING	SILICONE RUBBER	RED	1
06	NUT	BRASS	GOLD	1
05	WASHER	BRASS	GOLD	1
04	FERRULE	BRASS	GOLD	1
03	CENTER PIN	Be.Cu	GOLD	1
02	INSULATOR	TEFLON	NONE	1
01	BODY	BRASS	GOLD	1
NO	DESCRIPTION	MATERIAL	FINISH	Q'TY

TITLE		DRAWN BY: Kelly		2023/11/07
SMA Straight bulkhead Jack with O-ring Crimp for RG174 Cable		CHK'D BY: Eileen		2023/11/07
DWG NO. C02AD31174005C		REVISION		REV. 1.10
CUST. P/N: N/A DWG NO: N/A		DA2311070045		
SHEET 1 of 1		Unit: mm		

Wellshow
 GENERAL TOLERANCES
 .X ±0.2
 .XX ±0.2
 .XXX ±0.2
 ANGLES N/A