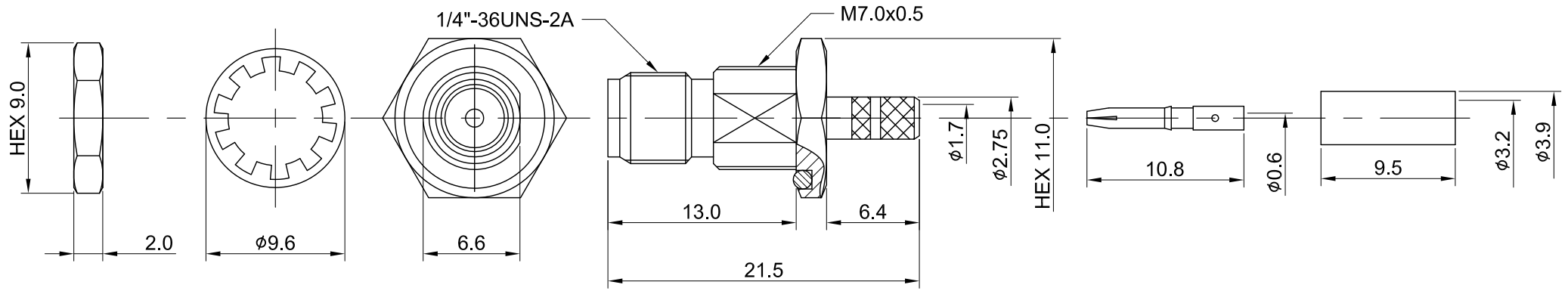
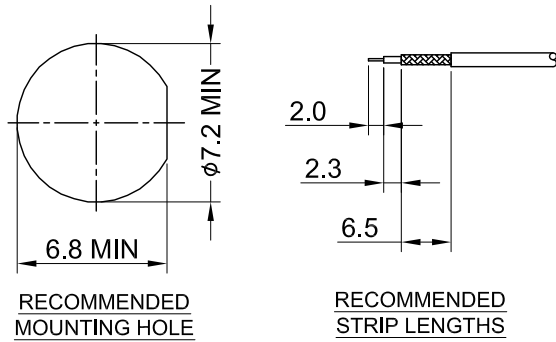


REV	DESCRIPTION	DATE
1.20	CHG $\phi 1.7$ W. $\phi 1.6$	2023/06/15
1.21	CORRECT INSULATION RESISTANCE UNIT	2023/12/25



MECHANICAL DATA
 DURABILITY : 500 CYCLES
 TEMPERATURE RANGE : -65°C ~ + 165°C

ELECTRICAL DATA
 FREQUENCY RANGE: DC~6GHz
 IMPEDANCE : 50 Ω
 VSWR : 1.3 MAX.
 WORKING VOLTAGE : AC 375V
 WITHSTANDING VOLTAGE : AC 750V
 INSULATION RESISTANCE : 5000 M Ω MIN

07	O-RING	SILICONE RUBBER	RED	1
06	WASHER	BRASS	GOLD	1
05	NUT	BRASS	GOLD	1
04	FERRULE	BRASS	GOLD	1
03	INSULATOR	TEFLON	NONE	1
02	PIN	Be.Cu	GOLD	1
01	BODY	BRASS	GOLD	1
NO	DESCRIPTION	MATERIAL	FINISH	Q'TY

TITLE		DRAWN BY:		DATE
SMA(F) st. bh. w/ O-ring crimp for RG174		Kelly	2023/12/25	
DWG NO. C02AD31174034		CHK'D BY:	David	2023/12/25
CUST. P/N: N/A DWG NO: N/A				REV. 1.21
SHEET 1 of 1	Unit: mm	DA2312250041		



GENERAL TOLERANCES	
.X	± 0.2
.XX	± 0.2
.XXX	± 0.2
ANGLES	N/A