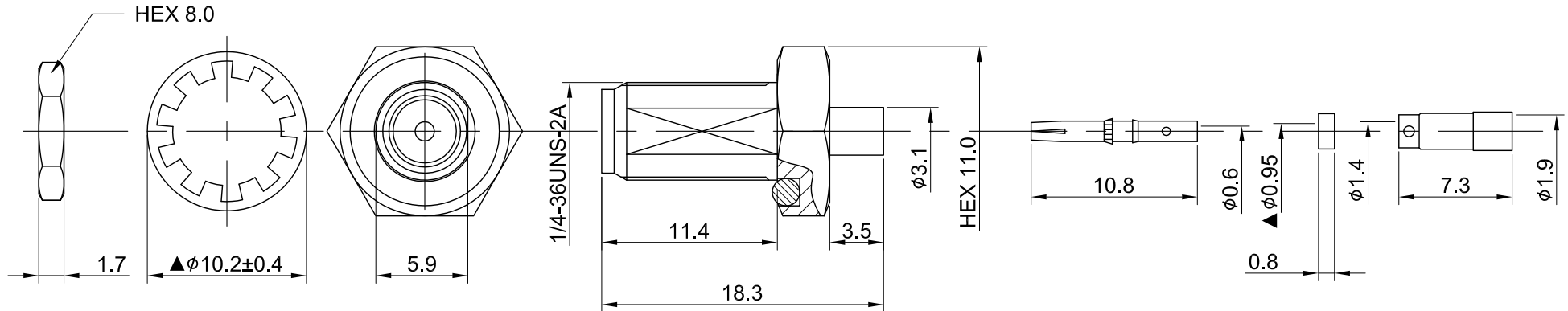
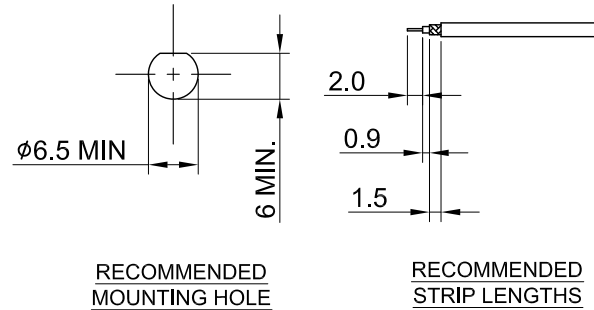


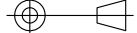
REV	DESCRIPTION	DATE
2.01	ADD ORING COLOR RED, CORRECT FULL MATERIAL NAME SILICON RUBBER	2021/01/19
2.10	ADD TOLERANCE $\phi 10.2 \pm 0.4$ , CORRECT $\phi 0.95$ W. $\phi 0.9$	2024/01/11



MECHANICAL DATA  
 DURABILITY : 500 CYCLES  
 TEMPERATURE RANGE : -65°C ~ + 165°C

ELECTRICAL DATA  
 FREQUENCY RANGE: DC~6GHZ  
 IMPEDANCE : 50Ω  
 VSWR : 1.3 MAX.  
 WORKING VOLTAGE : AC 170V  
 WITHSTANDING VOLTAGE : AC 500V  
 INSULATION RESISTANCE : 5000 MΩ MIN

08	INSULATOR B	TEFLON	NONE	1	TITLE SMA(F) bh. w/Oring for RG178			
07	SLEEVE	BRASS	NICKEL	1				
06	NUT	BRASS	GOLD	1				
05	WASHER	BRASS	GOLD	1	DWG NO. C02AD31178005		DRAWN BY: Kelly 2024/01/11	
04	O RING	SILICONE RUBBER	RED	1	CUST. P/N: N/A DWG NO: N/A		CHK'D BY: David 2024/01/11	
03	CENTER PIN	Be.Cu	GOLD	1				
02	INSULATOR A	TEFLON	NONE	1				
01	BODY	BRASS	GOLD	1	SHEET 1 of 1 Unit: mm		 REV. 2.10	
NO	DESCRIPTION	MATERIAL	FINISH	Q'TY			DA2312260018	

GENERAL TOLERANCES		DRAWN BY: Kelly 2024/01/11	
.X	±0.2	CHK'D BY: David 2024/01/11	
.XX	±0.2	 REV. 2.10	
.XXX	±0.2		
ANGLES	N/A	DA2312260018	