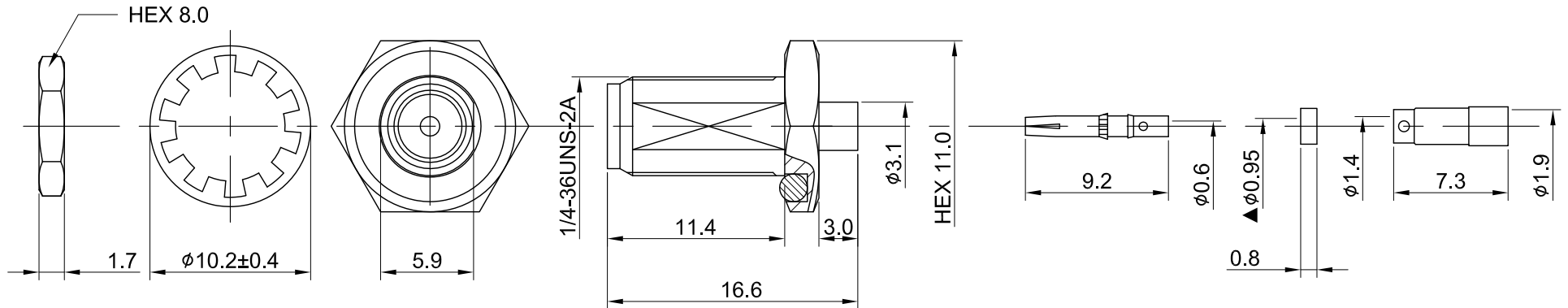
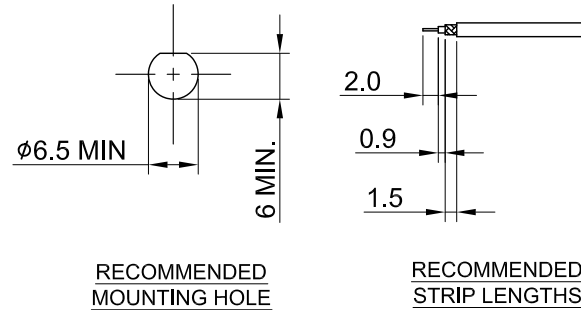


REV	DESCRIPTION	DATE
2.01	ADD ORING COLOR RED, SHOW FULL MATERIAL NAME SILICONE RUBBER	2021/02/01
2.10	ADD TOLERANCE $\phi 10.2 \pm 0.4$, CORRECT $\phi 0.95$ W. 0.9	2024/01/11



MECHANICAL DATA
 DURABILITY : 500 CYCLES
 TEMPERATURE RANGE : -65°C ~ + 165°C

ELECTRICAL DATA
 FREQUENCY RANGE: DC~6GHZ
 IMPEDANCE : 50Ω
 VSWR : 1.3 MAX.
 WORKING VOLTAGE : AC 170V
 WITHSTANDING VOLTAGE : AC 500V
 INSULATION RESISTANCE : 5000 MΩ MIN

08	SLEEVE	BRASS	NICKEL	1	TITLE SMA(F) bh., w/Oring, 2.2T crimp for RG178	
07	INSULATOR B	TEFLON	NONE	1		
06	NUT	BRASS	GOLD	1		
05	WASHER	BRASS	GOLD	1	DWG NO. C02AD31178005B	
04	O RING	SILICONE RUBBER	RED	1	CUST. P/N: N/A DWG NO: N/A	
03	CENTER PIN	Be.Cu	GOLD	1		
02	INSULATOR A	TEFLON	NONE	1		
01	BODY	BRASS	GOLD	1	SHEET 1 of 1 Unit: mm	
NO	DESCRIPTION	MATERIAL	FINISH	Q'TY		



GENERAL TOLERANCES		DRAWN BY: Kelly 2024/01/11	
.X	±0.2		REV. 2.10
.XX	±0.2		
.XXX	±0.2		
ANGLES	N/A	DA2312260019	