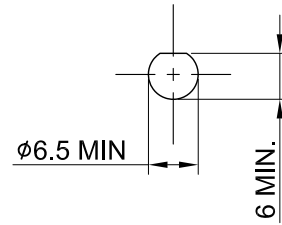
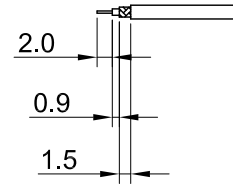


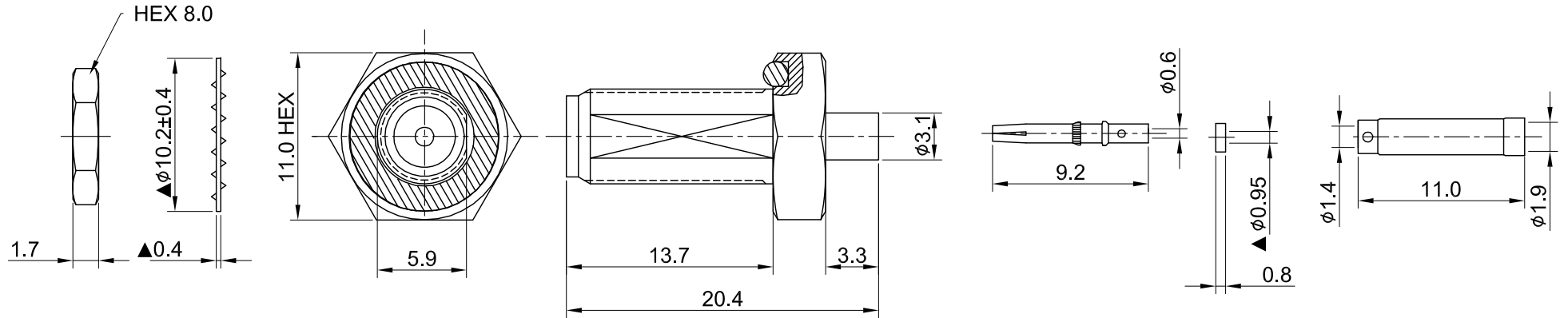
REV	DESCRIPTION	DATE
1.01	ADD ORING COLOR RED, SHOW FULL MATERIAL NAME SILICONE RUBBER	2015/12/03
1.10	ADD DIM 0.4/ $\phi 0.95$, TOLERANCE $\phi 10.2 \pm 0.4$	2024/07/03



RECOMMENDED MOUNTING HOLE



RECOMMENDED STRIP LENGTHS



MECHANICAL DATA
 DURABILITY : 500 CYCLES
 TEMPERATURE RANGE : -65°C ~ + 165°C

ELECTRICAL DATA
 FREQUENCY RANGE: DC~6GHz
 IMPEDANCE : 50Ω
 VSWR : 1.3 MAX.
 WORKING VOLTAGE : AC 170V
 WITHSTANDING VOLTAGE : AC 500V
 INSULATION RESISTANCE : 5000 MΩ MIN

08	INSULATOR B	TEFLON	NONE	1	TITLE SMA(F) bh. wOring for RG178, 13.7mm thread length
07	O RING	SILICONE RUBBER	RED	1	
06	NUT	BRASS	GOLD	1	DWG NO. C02AD31178005I
05	WASHER	BRASS	GOLD	1	
04	SLEEVE	BRASS	NICKEL	1	CUST. P/N: N/A DWG NO: N/A
03	CENTER PIN	Be.Cu	GOLD	1	
02	INSULATOR A	TEFLON	NONE	1	SHEET 1 of 1 Unit: mm
01	BODY	BRASS	GOLD	1	
NO	DESCRIPTION	MATERIAL	FINISH	Q'TY	



GENERAL TOLERANCES		DRAWN BY: Kelly 2024/07/03	
.X	±0.2		REV. 1.10
.XX	±0.2		
.XXX	±0.2		
ANGLES	N/A	DA2407030003	1.10