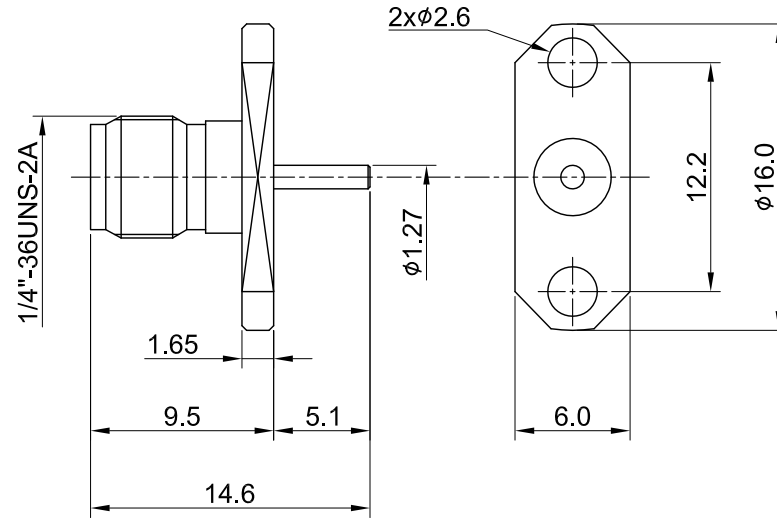


REV	DESCRIPTION	DATE
1.10	NEW DRAWING FRAME	2023/08/07
1.11	CORRECT INSULATION RESISTANCE UNIT	2023/12/27



MECHANICAL DATA
 DURABILITY : 500 CYCLES
 TEMPERATURE RANGE : -65°C ~ + 165°C

ELECTRICAL DATA
 FREQUENCY RANGE: DC~6GHz
 IMPEDANCE : 50Ω
 VSWR : 1.3 MAX.
 WORKING VOLTAGE : AC 500V
 WITHSTANDING VOLTAGE : AC 1000V
 INSULATION RESISTANCE : 5000 MΩ MIN

TITLE
 SMA(F) st. 2holes panel mount receptacle (blunt post) (OD:
 1.27mm pin)

DWG NO.
 C02AF3143B

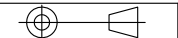


03	CENTER PIN	Be.Cu	GOLD	1
02	INSULATOR	TEFLON	NONE	1
01	BODY	BRASS	GOLD	1
NO	DESCRIPTION	MATERIAL	FINISH	Q'TY

CUST.
 P/N: N/A
 DWG NO: N/A

GENERAL TOLERANCES
 .X ±0.2
 .XX ±0.2
 .XXX ±0.2
 ANGLES N/A

DRAWN BY: Kelly 2023/12/27
 CHK'D BY: Eileen 2023/12/27



REV.
 DA2312250012 1.11

SHEET 1 of 1 Unit: mm