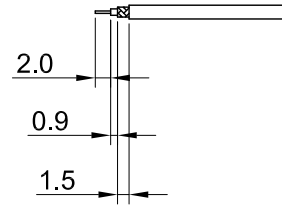
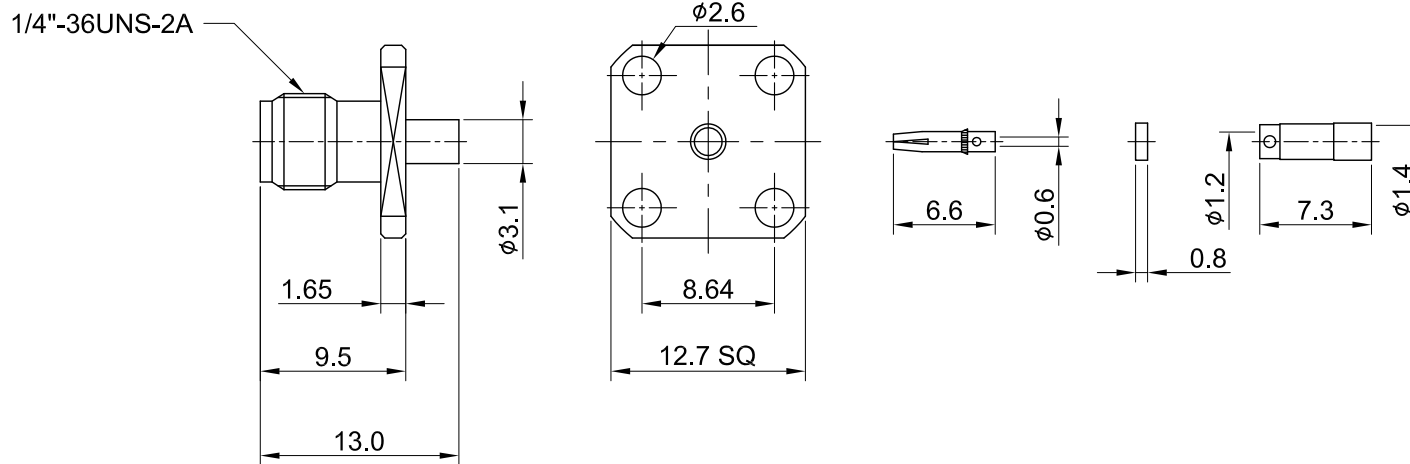


REV	DESCRIPTION	DATE
1.00	INITIAL DESIGN	2015/04/21
1.10	NEW DRAWING FRAME	2023/12/15



RECOMMENDED STRIP LENGTHS



MECHANICAL DATA  
 DURABILITY : 500 CYCLES  
 TEMPERATURE RANGE : -65°C ~ + 165°C

ELECTRICAL DATA  
 FREQUENCY RANGE: DC~6GHZ  
 IMPEDANCE : 50Ω  
 VSWR : 1.3 MAX.  
 WORKING VOLTAGE : AC 170V  
 WITHSTANDING VOLTAGE : AC 500V  
 INSULATION RESISTANCE : 5000 MΩ MIN

TITLE	
SMA(F)st.4H for 1.32DS	

05	INSULATOR B	TEFLON	NONE	1
04	SLEEVE	BRASS	NICKEL	1
03	CENTER PIN	Be.Cu	GOLD	1
02	INSULATOR A	TEFLON	NONE	1
01	BODY	BRASS	GOLD	1
NO	DESCRIPTION	MATERIAL	FINISH	Q'TY

DWG NO. C02AG31132D18A	
CUST. P/N: N/A DWG NO: N/A	
SHEET 1 of 1	Unit: mm

GENERAL TOLERANCES

.X ±0.2

.XX ±0.2

.XXX ±0.2

ANGLES N/A

DRAWN BY: Kelly 2023/12/15

CHK'D BY: Maria 2023/12/15

REV. 1.10

DA2312150004