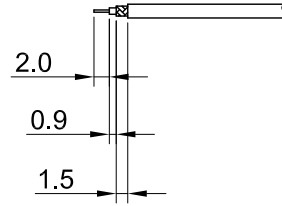
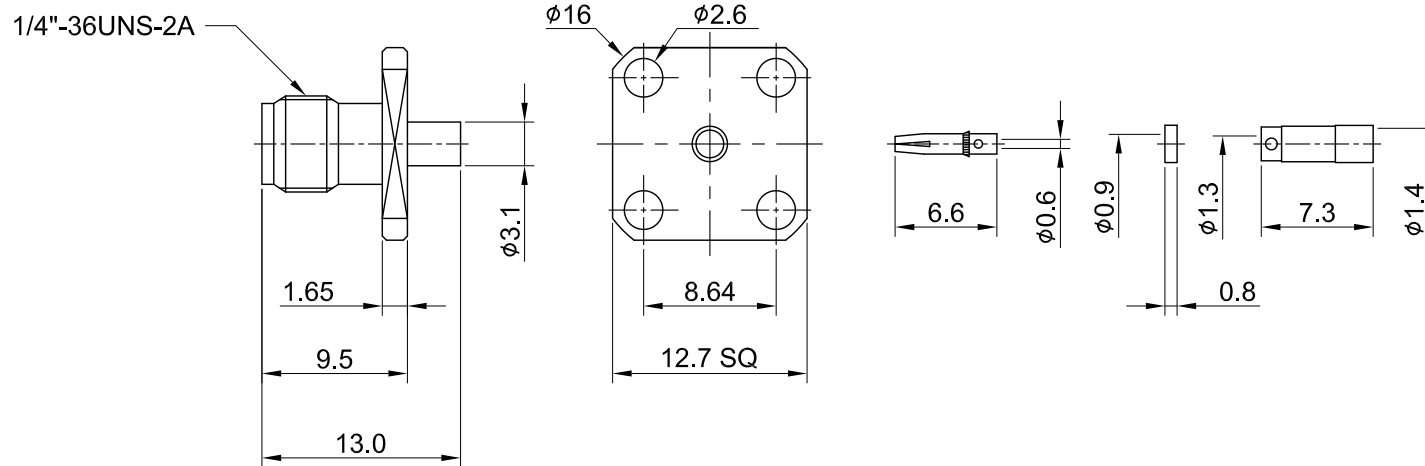


REV	DESCRIPTION	DATE
2.00	CHG SLEEVE FINISH NICKEL W. ALBALOY	2012/06/04
2.10	NEW DRAWING FRAME	2023/12/15



RECOMMENDED STRIP LENGTHS



MECHANICAL DATA  
 DURABILITY : 500 CYCLES  
 TEMPERATURE RANGE : -65°C ~ + 165°C

ELECTRICAL DATA  
 FREQUENCY RANGE: DC~6GHZ  
 IMPEDANCE : 50Ω  
 VSWR : 1.3 MAX.  
 WORKING VOLTAGE : AC 170V  
 WITHSTANDING VOLTAGE : AC 500V  
 INSULATION RESISTANCE : 5000 MΩ MIN

TITLE  
 SMA(F) 4 hole panel for 1.37(推管)

05	SLEEVE	BRASS	NICKEL	1
04	INSULATOR B	TEFLON	NONE	1
03	CENTER PIN	Be.Cu	GOLD	1
02	INSULATOR A	TEFLON	NONE	1
01	BODY	BRASS	GOLD	1
NO	DESCRIPTION	MATERIAL	FINISH	Q'TY

DWG NO. C02AG31137018A
CUST. P/N: N/A DWG NO: N/A
SHEET 1 of 1 Unit: mm

GENERAL TOLERANCES

.X ±0.2

.XX ±0.2

.XXX ±0.2

ANGLES N/A

DRAWN BY: Kelly 2023/12/15

CHK'D BY: Maria 2023/12/15

REV. 2.10

DA2312150005